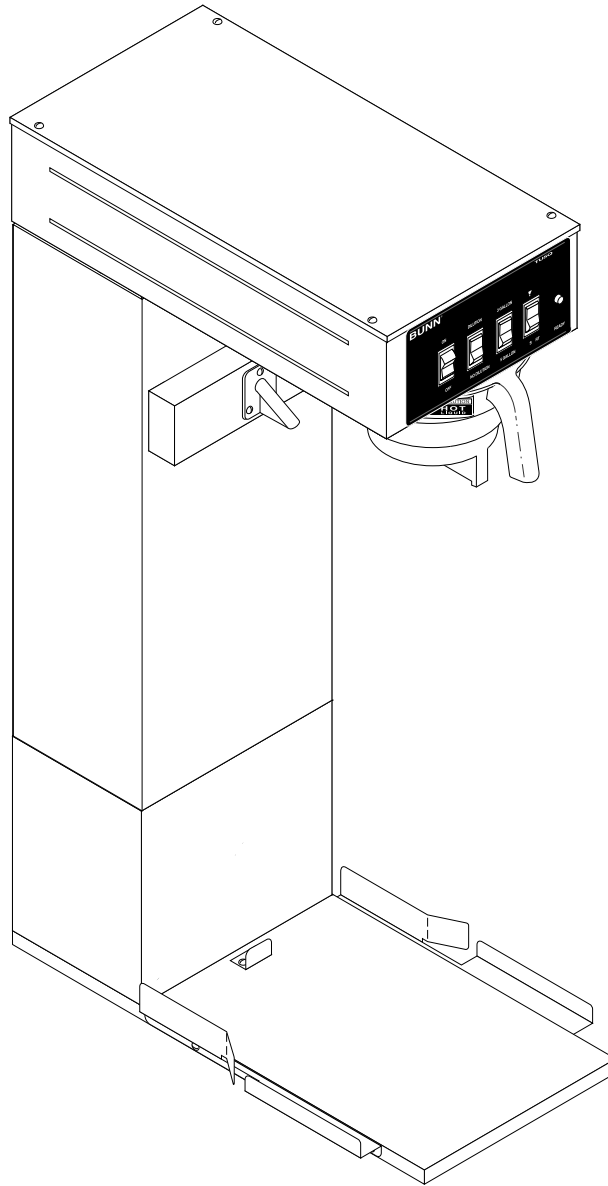


BUNN®

TU5Q



ILLUSTRATED PARTS CATALOG

Designs, materials, weights, specifications, and dimensions for equipment or replacement parts are subject to change without notice.

BUNN-O-MATIC CORPORATION

POST OFFICE BOX 3227

SPRINGFIELD, ILLINOIS 62708-3227

PHONE: (217) 529-6601 FAX: (217) 529-6644

WARRANTY

Bunn-O-Matic Corp. ("Bunn") warrants the equipment manufactured by it to be commercially free from defects in material and workmanship existing at the time of manufacture and appearing within one year from the date of installation. In addition:

1.) Bunn warrants electronic circuit and/or control boards to be commercially free from defects in material and workmanship for three years from the date of installation.

2.) Bunn warrants the compressor on refrigeration equipment to be commercially free from defects in material and workmanship for two years from the date of installation.

3.) Bunn warrants that the grinding burrs on coffee grinding equipment will grind coffee to meet original factory screen sieve analysis for three years from date of installation or for 30,000 pounds of coffee, whichever comes first.

This warranty does not apply to any equipment, component or part that was not manufactured by Bunn or that, in Bunn's judgement, has been affected by misuse, neglect, alteration, improper installation or operation, improper maintenance or repair, damage or casualty.

THE FOREGOING WARRANTY IS EXCLUSIVE AND IS IN LIEU OF ANY OTHER WARRANTY, WRITTEN OR ORAL, EXPRESS OR IMPLIED, INCLUDING, BUT NOT LIMITED TO, ANY IMPLIED WARRANTY OF EITHER MERCHANTABILITY OR FITNESS FOR A PARTICULAR PURPOSE. The agents, dealers or employees of Bunn are not authorized to make modifications to this warranty or to make additional warranties that are binding on Bunn. Accordingly, statements by such individuals, whether oral or written, do not constitute warranties and should not be relied upon.

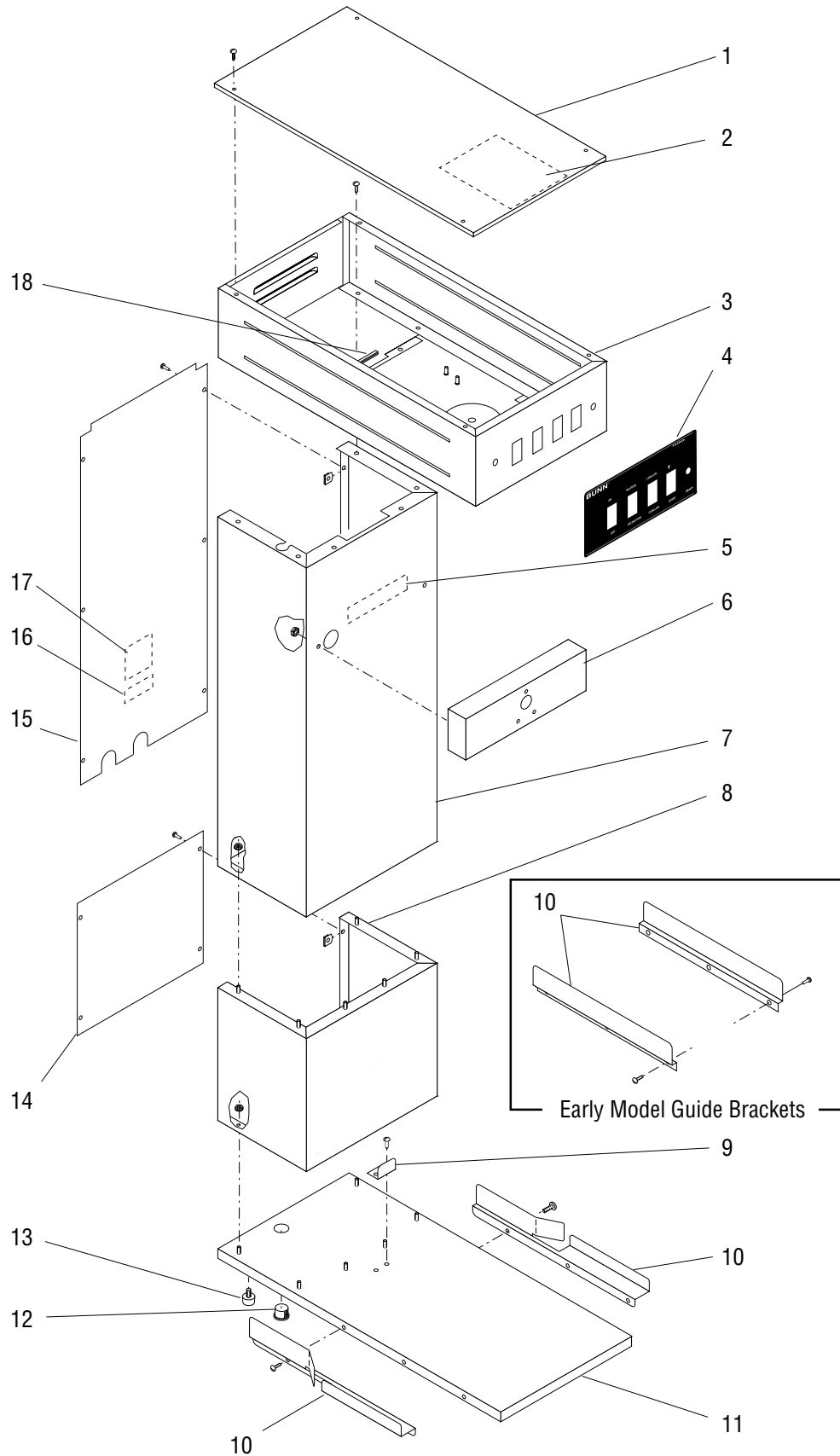
The Buyer shall give Bunn prompt notice of any claim to be made under this warranty by telephone at (217) 529-6601 or by writing to Post Office Box 3227, Springfield, Illinois, 62708-3227. If requested by Bunn, the Buyer shall ship the defective equipment prepaid to an authorized Bunn service location. If Bunn determines, in its sole discretion, that the equipment does not conform to the warranty, Bunn shall repair the equipment with no charge for parts during the warranty period and no charge for labor by a Bunn Authorized Service Representative during the warranty period. If Bunn determines that repair is not feasible, Bunn shall, at its sole option, replace the equipment or refund the purchase price for the equipment.

THE BUYER'S REMEDY AGAINST BUNN FOR THE BREACH OF ANY OBLIGATION ARISING OUT OF THE SALE OF THIS EQUIPMENT, WHETHER DERIVED FROM WARRANTY OR OTHERWISE, SHALL BE LIMITED, AS SPECIFIED HEREIN, TO REPAIR OR, AT BUNN'S SOLE OPTION, REPLACEMENT OR REFUND.

In no event shall Bunn be liable for any other damage or loss, including, but not limited to, lost profits, lost sales, loss of use of equipment, claims of Buyer's customers, cost of capital, cost of down time, cost of substitute equipment, facilities or services, or any other special, incidental or consequential damages.

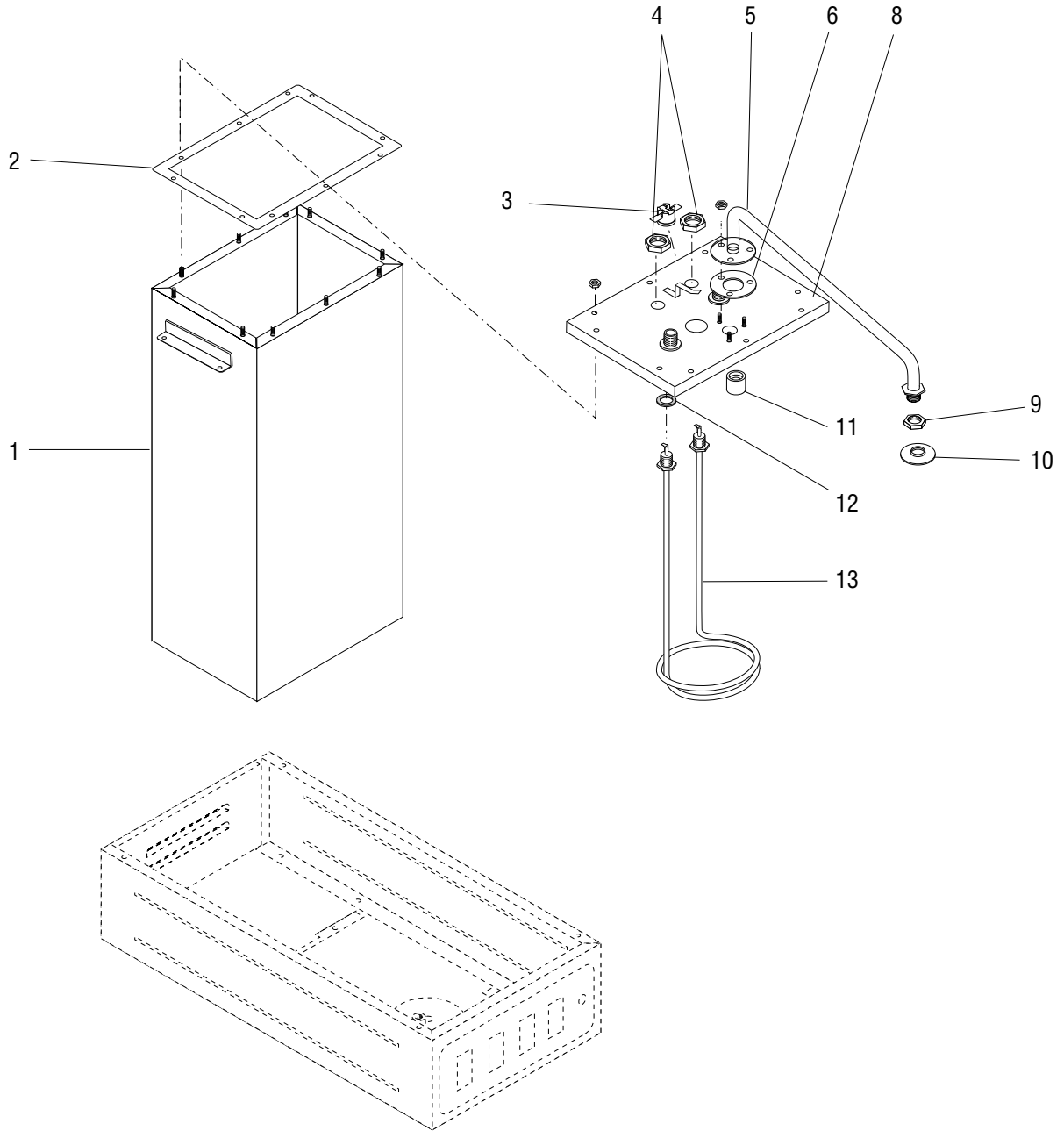
TABLE OF CONTENTS

Electrical and Operating Controls	12
Funnel Assembly	14
Numerical Index	16
Strainer/Flow Control, Solenoids and Lines	8
Tank Assembly	6
Top Cover, Hood, Trunk, Base and Panels	4



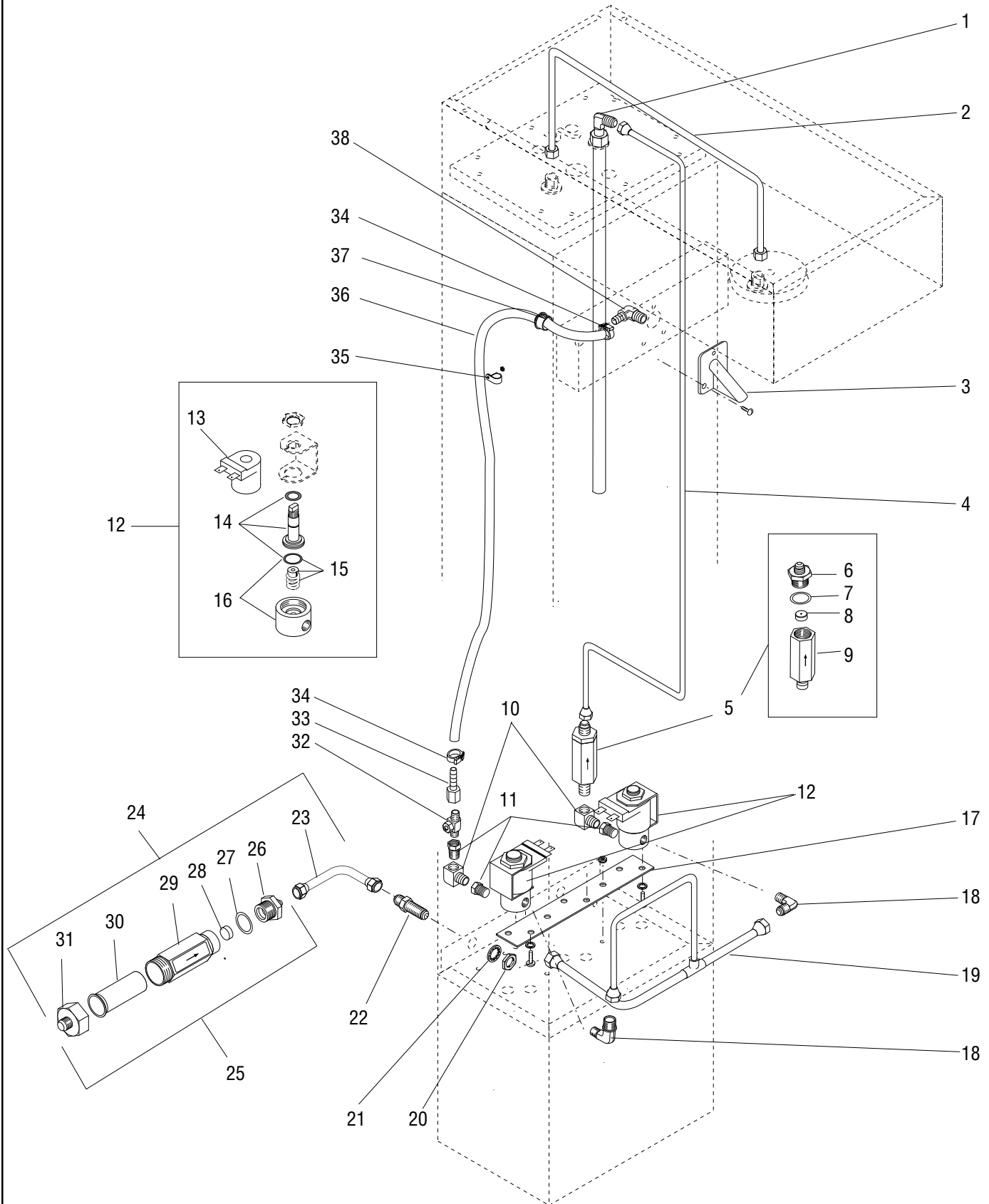
TOP COVER, HOOD, TRUNK, BASE AND PANELS

ITEM	PART NO.	QTY.	DESCRIPTION
1	24481.1000 01382.0000	1 4	Cover, Top (Includes Item 2) Screw, TRH #6-32 x .375"
2	-----	1	Schematic, Electrical (Order Item 1)
3	24469.0000 02308.0000	1 9	Hood (Also order Item 4) Screw, PNH SLTD W/SERR #8-32 x .375"
4	24514.0000	1	Decal, Hood - Control Panel
5	03537.0000	1	Decal, Use Quick Brew Funnel
6	03773.0000 00970.0000	1 2	Housing, Nozzle Mounting Nut, Hex Keps #8-32
7	24467.0000 00970.0000	1 6	Trunk Assy Nut, Hex Keps #8-32
8	24473.0000 00970.0000	1 6	Housing Assy, Trunk Extension 8.12" HT Nut, Hex Keps #8-32
9	03770.0000 01315.0000	1 2	Bracket, Stop Screw, TRH #8-32 x .375"
10	03772.0000 32035.0000 32035.0001 01317.0003	2 1 1 6	Guide, Base (Early models) Guide, Base (Left side) Late models Guide, Base (Right side) Late models Screw, PNH - Locking #8-32 x .375"
11	24472.0000	1	Base
12	00668.0000	1	Plug, Hole .75" Dia
13	25137.0001	4	Foot, .75" O.D. x .44" HT (See Item 19)
14	24498.0000 01315.0000 00917.0000	1 4 4	Cover, Trunk Extension Screw, TRH #8-32 x .375" Fastener, J-Type #8-32
15	24802.0000 01315.0000 00917.0000	1 6 6	Panel W/Decals, Trunk (Includes items 16 & 17) Screw, TRH #8-32 x .375" Fastener, J-Type #8-32
16	00656.0000	1	Decal, Comply With Plumbing Code
17	00831.0000	1	Decal, Electrical Warning
18	02712.1000	1	Edging, 18" LG (Cut to 2")
19	24600.0000	-	Kit, Foot (Includes four feet)



TANK ASSEMBLY

ITEM	PART NO.	QTY.	DESCRIPTION
1	24549.1000	1	Tank
	02308.0000	4	Screw, PNH SLTD W/SERR #8-32 x .375"
2	22978.0000	1	Gasket, Tank Lid
3	29329.1000	1	Thermostat, Limit 30 amp
4	00942.0000	2	Nut, Hex .50"-20
5	24510.0000	1	Tube Assy, Sprayhead(See Item 7)
6	05515.0000	1	Gasket, Sprayhead Tube(See Item7)
7	24808.0000	1	Sprayhead Tube Kit (Includes 3 mounting nuts below Items 5, 6 & 11)
	00908.0000	3	Nut, Hex #8-32
8	23199.0000	1	Lid Assembly, Tank
	00908.0000	10	Nut, Hex #8-32
9	01075.0000	1	Nut, Hex .438"-20
10	01082.0000	1	Sprayhead, 6-Hole
11	05518.0000	1	Syphon Hub(See Item 7)
12	00943.0000	2	Gasket, Tank Heater
13	20201.4150	1	Tank Heater, 1800W 120 V (Includes Item 12)(Used on 120 volt models)
	20201.0750	1	Tank Heater, 3500W 240 V (Includes Item 12)(Used on 120/240 volt models)
	20201.6350	1	Tank Heater, 3500W 208 V (Includes Item 12)(Used on 120/208 volt models)

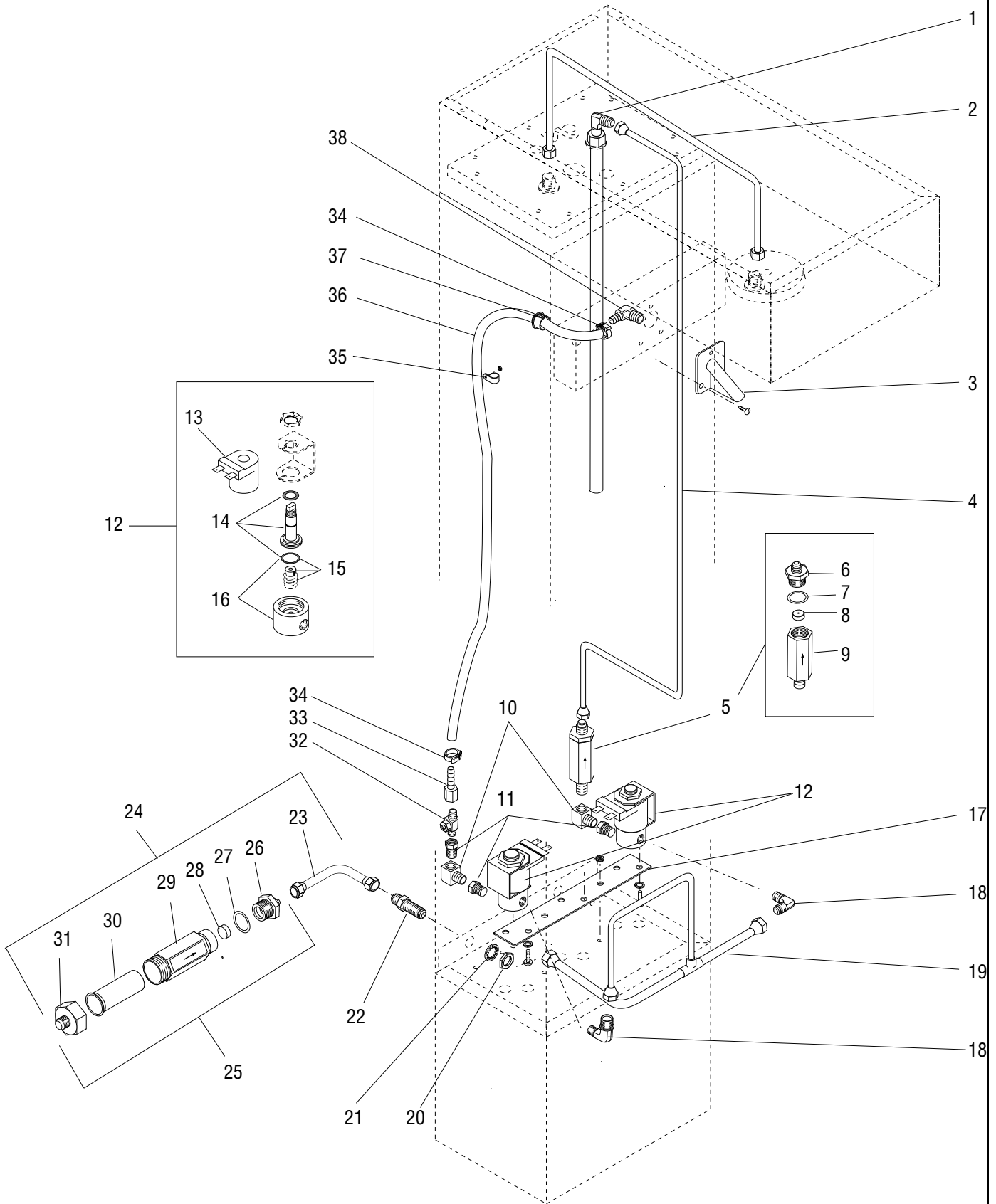


STRAINER/FLOW CONTROL, SOLENOIDS AND LINES

ITEM	PART NO.	QTY.	DESCRIPTION
1	20202.0100	1	Tube Assy, Tank Fill
2	24509.0000	1	Tube Assy, Vent
3	03717.0000	1	Nozzle, Dilution
	01382.0002	3	Screw, TRH SERR BLKOXD #6-32 x .375"
4	24515.0000	1	Tube Assy, Flow Control to Tank
5	20528.1175	1	Flow Control Assy (.175 GPM) (Includes Items 6-9)
6	01154.0001	1	Fitting, Flow Control Outlet
7	20526.1175	1	Flow Washer/Gasket Kit (.175 GPM)(Includes Item 8)
8	01155.0000	1	Gasket, Flow Control
9	-----	1	Body (Not Serviced, Order Item 5)
10	00432.0001	2	Elbow, TNPL .125" NPT - Male-Female
11	00430.0001	3	Adaptor, TNPL .125" NPT - Male-Female
12	01085.0002	2	Solenoid Valve (Includes Items 13-16)
	01327.0000	4	Screw PNH #10-32 x .375"
	01502.0000	4	Lockwasher #10
13	28480.0000	2	Valve Coil
14	28481.0000	2	Guide Kit (Includes Washer & O-Ring)
15	01111.0002	2	Valve Repair Kit (Includes Plunger, Spring & O-Ring)
16	28479.0000	2	Base Kit (Includes O-Ring)
17	03170.0000	1	Plate, Mounting
	00970.0000	2	Nut, Keps #8-32
18	00400.0001	2	Elbow, .25" Flare x .125" MPT
19	24516.0000	1	Tube Assy, Manifold to Solenoid
20	00463.0000	1	Nut, Hex .375" -20
21	01532.0000	1	Lockwasher, INTL TOOTH - .438"
22	00459.0000	1	Fitting, Bulkhead
23	00310.0000	1	Tube Assy, Strainer/Flow Control
24	24356.0750	1	Strainer/Flow Control w/Tubing (.750 GPM)(Includes Items 23 & 25)
25	22300.0750	1	Strainer/Flow Control (.750 GPM)(Includes Items 26-31)
26	01154.0000	1	Fitting, Flow Control Outlet

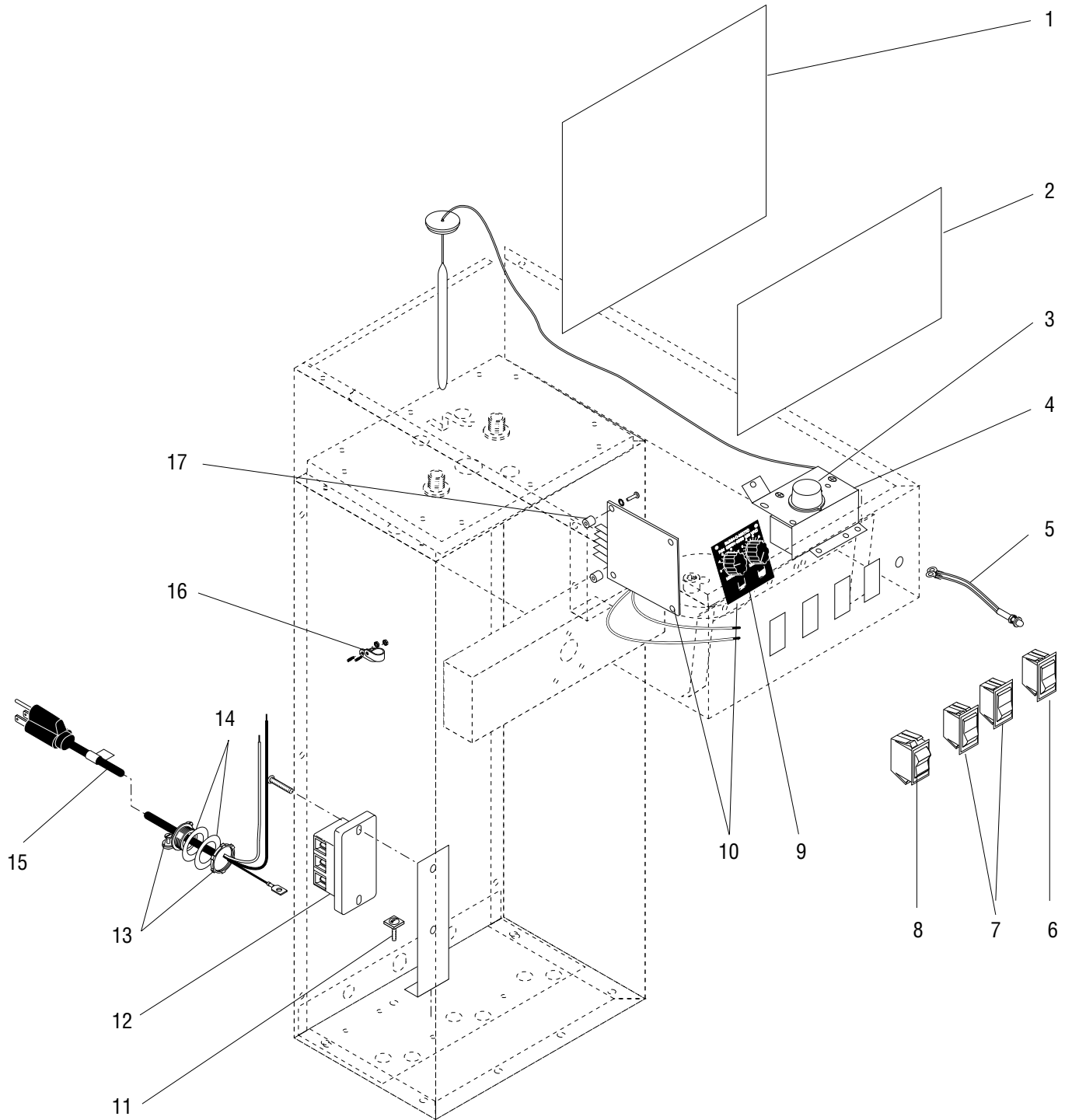
(Continued)

(Continued)



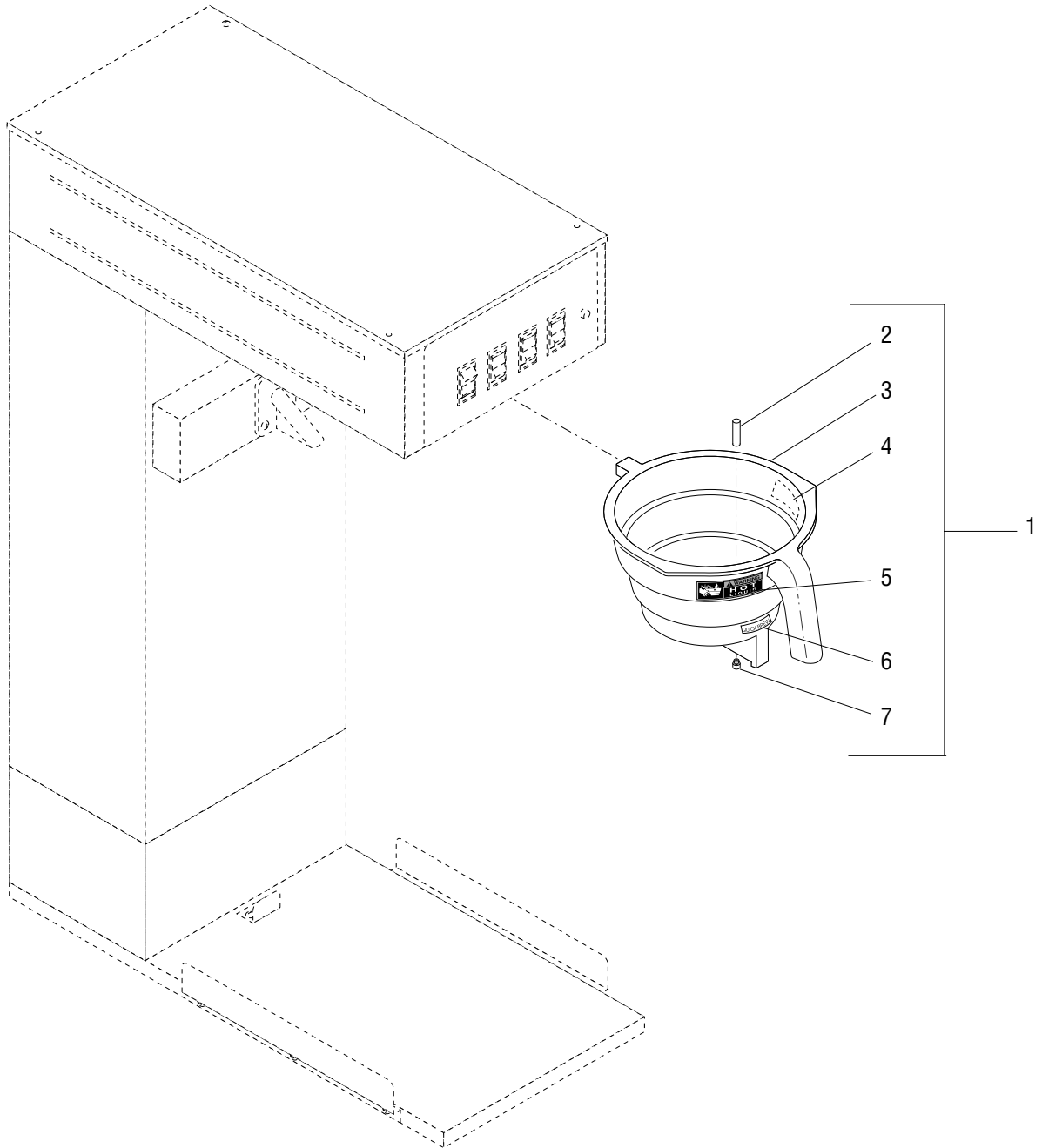
STRAINER/FLOW CONTROL, SOLENOIDS AND LINES

ITEM	PART NO.	QTY.	DESCRIPTION
27	01155.0000	1	Gasket
28	20526.1750	1	Flow Washer/Gasket Kit (.750 GPM)(Includes Item 27)
29	-----	1	Body (Not Serviced, Order Item 25)
30	23721.0000	1	Screen
31	22249.0000	1	Fitting, Flow Control Inlet
32	21634.0002	1	Valve, Needle
33	00469.0001	1	Connector - Female - .25" Barb x .12"FP
34	12422.0000	2	Clamp
35	00603.0000	1	Clamp, Cable - Nylon
	00970.0000	1	Nut, Keps #8-32
36	11707.1001	1	Tube, Silicone, .25" ID x 36" Long (cut to 28")
37	01592.0000	1	Bushing, Snap 1.0" Dia
38	00464.0001	1	Elbow, .25" Barb x .125" MPT



ELECTRICAL AND OPERATING CONTROLS

ITEM	PART NO.	QTY.	DESCRIPTION
1	00636.0000	1	Shield, 7.0" x 9.0"
2	00637.0000	1	Shield, 5.0" x 9.0"
3	00720.0000	1	Knob, Thermostat
4	03024.0005	1	Thermostat Assy, 206F Max (Includes Item 3)
	01347.0000	2	Screw, TRH SERR SST #6-32 x .38"
5	12984.0006	1	Lamp Assy, GRN 120 V (Used on 120 volt models)
	12984.0007	1	Lamp Assy, GRN 208/250 V (Used on 120/208 & 120/240 volt models)
6	02628.0000	1	Switch, Start
7	05789.0000	2	Switch, Rocker
8	02753.0000	1	Switch, On/Off
9	02239.0001	2	Knob w/setscrew
10	05791.1006	1	Timer, Dual Range (Includes Item 9)
	01347.0000	2	Screw, TRH SERR SST #6-32 x .38"
	01510.0000	2	Lockwasher, EXT T - #6
	01388.0000	2	Screw, TRH Slotted #6-32 x .75"
11	01309.0000	1	Screw, PNH w/Term WSHR #10-32 x .50"
12	01106.0000	1	Terminal Block (Used on 120 volt models)
	07038.0000	1	Terminal Block, 3-pole (Used on 120/208 & 120/240 volt models)
	01317.0000	2	Screw, TRH SLTD SST #8-32 x .50"
13	01685.0000	1	Connector Cable - .500" NPS (Used on 120 volt models)
	01590.0000	1	Connector Cable - .750" NPS (Used on 120/208 & 120/240 volt models)
14	01531.0000	2	Washer, Reducing - Galv - .875" ID (Used on 120 volt models)
15	01713.1000	1	Power Cord (Used on 120 volt models)
16	05920.0000	2	Clamp, Cable-Nylon
	00970.0000	2	Nut, Keps #8-32
17	01533.0000	2	Spacer
Items 18 thru 20 are Not Illustrated			
18	24543.0000	1	Harness, Main Wiring (Used on 120 volt models)
	24543.0001	1	Harness, Main Wiring (Used on 120/208 & 120/240 volt models)
19	24542.0000	1	Lead, Elec - Control Thermostat to Tank Heater
20	24541.0000	1	Lead, Elec - Control Thermostat to Limit Thermostat



FUNNEL ASSEMBLY

ITEM	PART NO.	QTY.	DESCRIPTION
1	03021.0005	1	Funnel Assembly, Smoke - Quick Brew (Includes items 2 thru 7)
2	03284.0000	1	Adaptor W/Screen, Funnel (See item 8)
3	-----	1	Funnel, Brew Tea - Smoke (Not Available. Order item 1)
4	03408.0000	1	Decal, Caution - Remove Funnel
5	03409.0000	1	Decal, Caution - Hot Liquid
6	03536.0000	1	Decal, Quick Brew
7	03407.0002	1	Funnel Tip, .114" Dia (See Item 8)
8	01037.0003	-	Funnel Tip & Screen Kit (Includes items 2 & 7)

NUMERICAL INDEX

PART NO.	PAGE NO.	PART NO.	PAGE NO.	PART NO.	PAGE NO.	PART NO.	PAGE NO.
00310.0000	9	03170.0000	9	25137.0001	5		
00400.0001	9	03284.0000	15	28479.0000	9		
00430.0001	9	03407.0002	15	28480.0000	9		
00432.0001	9	03408.0000	15	28481.0000	9		
00459.0000	9	03409.0000	15	29329.1000	7		
00463.0000	9	03536.0000	15	32035.0000	5		
00464.0001	11	03537.0000	5	32035.0001	5		
00469.0001	11	03717.0000	9				
00603.0000	11	03770.0000	5				
00636.0000	13	03772.0000	5				
00637.0000	13	03773.0000	5				
00656.0000	5	05515.0000	7				
00668.0000	5	05518.0000	7				
00720.0000	13	05789.0000	13				
00831.0000	5	05791.1006	13				
00908.0000	7	05920.0000	13				
00917.0000	5	07038.0000	13				
00942.0000	7	11707.1001	11				
00943.0000	7	12422.0000	11				
00970.0000	5,9,11,13	12984.0006	13				
01037.0003	15	12984.0007	13				
01075.0000	7	20201.0750	7				
01082.0000	7	20201.4150	7				
01085.0002	9	20201.6350	7				
01106.0000	13	20202.0100	9				
01111.0002	9	20526.1175	9				
01154.0000	9	20526.1750	11				
01154.0001	9	20528.1175	9				
01155.0000	9,11	21634.0002	11				
01309.0000	13	22249.0000	11				
01315.0000	5	22300.0750	9				
01317.0000	13	22978.0000	7				
01317.0003	5	23199.0000	7				
01327.0000	9	23721.0000	11				
01347.0000	13	24356.0750	9				
01382.0000	5	24467.0000	5				
01382.0002	9	24469.0000	5				
01388.0000	13	24472.0000	5				
01502.0000	9	24473.0000	5				
01510.0000	13	24481.1000	5				
01531.0000	13	24498.0000	5				
01532.0000	9	24509.0000	9				
01533.0000	13	24510.0000	7				
01590.0000	13	24514.0000	9				
01592.0000	11	24515.0000	9				
01685.0000	13	24516.0000	9				
01713.1000	13	24541.0000	13				
02239.0001	13	24542.0000	13				
02308.0000	5,7	24543.0000	13				
02628.0000	13	24543.0001	13				
02712.1000	5	24549.1000	7				
02753.0000	13	24600.0000	5				
03021.0005	15	24802.0000	5				
03024.0005	13	24808.0000	7				