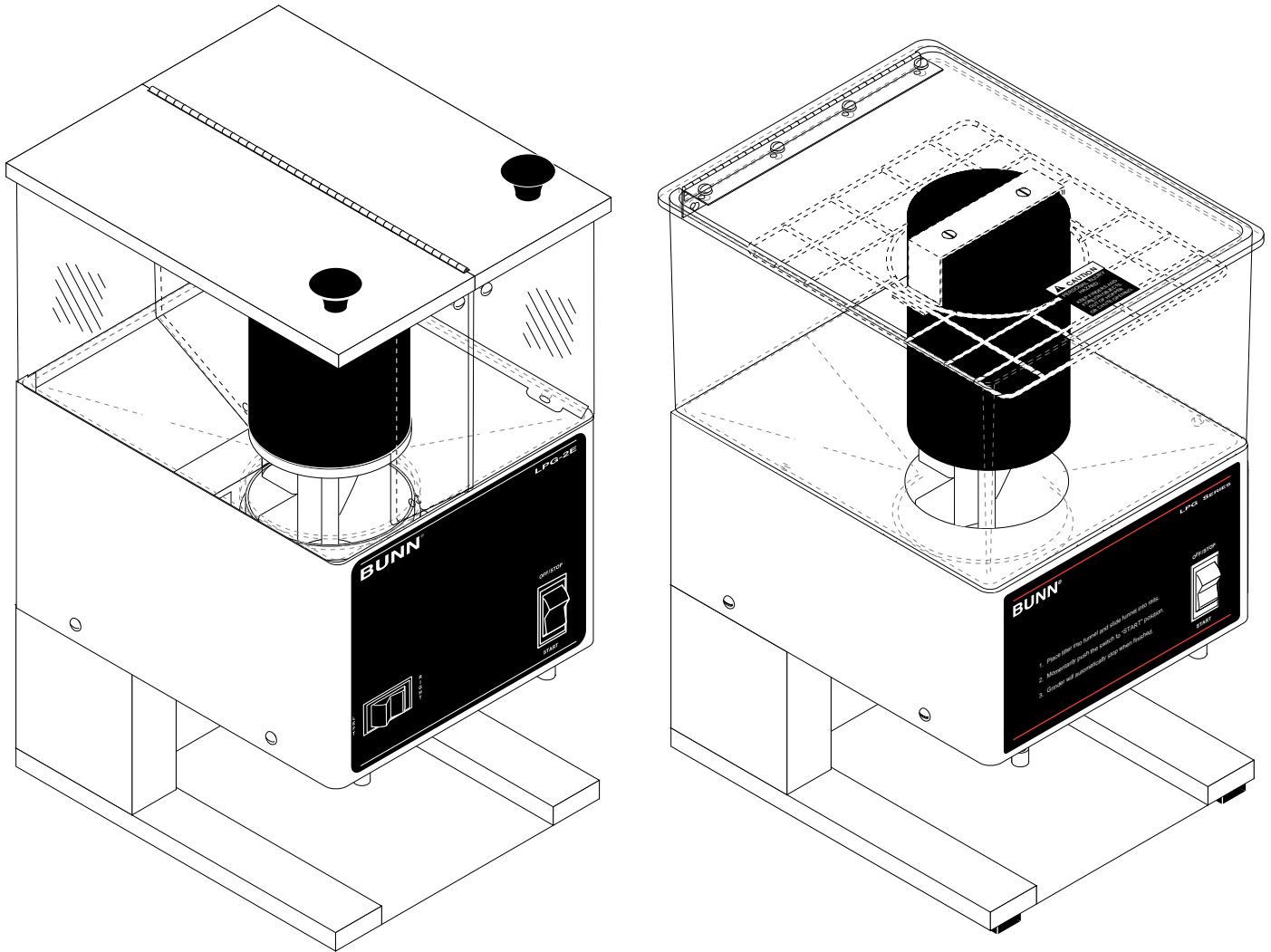


BUNN®

LPG LPG-2E



ILLUSTRATED PARTS CATALOG

Designs, materials, weights, specifications, and dimensions for equipment or replacement parts are subject to change without notice.

BUNN-O-MATIC CORPORATION

POST OFFICE BOX 3227

SPRINGFIELD, ILLINOIS 62708-3227

PHONE: (217) 529-6601 FAX: (217) 529-6644

BUNN-O-MATIC COMMERCIAL PRODUCT WARRANTY

Bunn-O-Matic Corp. ("BUNN") warrants equipment manufactured by it as follows:

- 1) All equipment other than as specified below: 2 years parts and 1 year labor.
- 2) Electronic circuit and/or control boards: parts and labor for 3 years.
- 3) Compressors on refrigeration equipment: 5 years parts and 1 year labor.
- 4) Grinding burrs on coffee grinding equipment to grind coffee to meet original factory screen sieve analysis: parts and labor for 3 years or 30,000 pounds of coffee, whichever comes first.

These warranty periods run from the date of installation BUNN warrants that the equipment manufactured by it will be commercially free of defects in material and workmanship existing at the time of manufacture and appearing within the applicable warranty period. This warranty does not apply to any equipment, component or part that was not manufactured by BUNN or that, in BUNN's judgment, has been affected by misuse, neglect, alteration, improper installation or operation, improper maintenance or repair, damage or casualty. This warranty is conditioned on the Buyer 1) giving BUNN prompt notice of any claim to be made under this warranty by telephone at (217) 529-6601 or by writing to Post Office Box 3227, Springfield, Illinois 62708-3227; 2) if requested by BUNN, shipping the defective equipment prepaid to an authorized BUNN service location; and 3) receiving prior authorization from BUNN that the defective equipment is under warranty.

THE FOREGOING WARRANTY IS EXCLUSIVE AND IS IN LIEU OF ANY OTHER WARRANTY, WRITTEN OR ORAL, EXPRESS OR IMPLIED, INCLUDING, BUT NOT LIMITED TO, ANY IMPLIED WARRANTY OF EITHER MERCHANTABILITY OR FITNESS FOR A PARTICULAR PURPOSE. The agents, dealers or employees of BUNN are not authorized to make modifications to this warranty or to make additional warranties that are binding on BUNN. Accordingly, statements by such individuals, whether oral or written, do not constitute warranties and should not be relied upon.

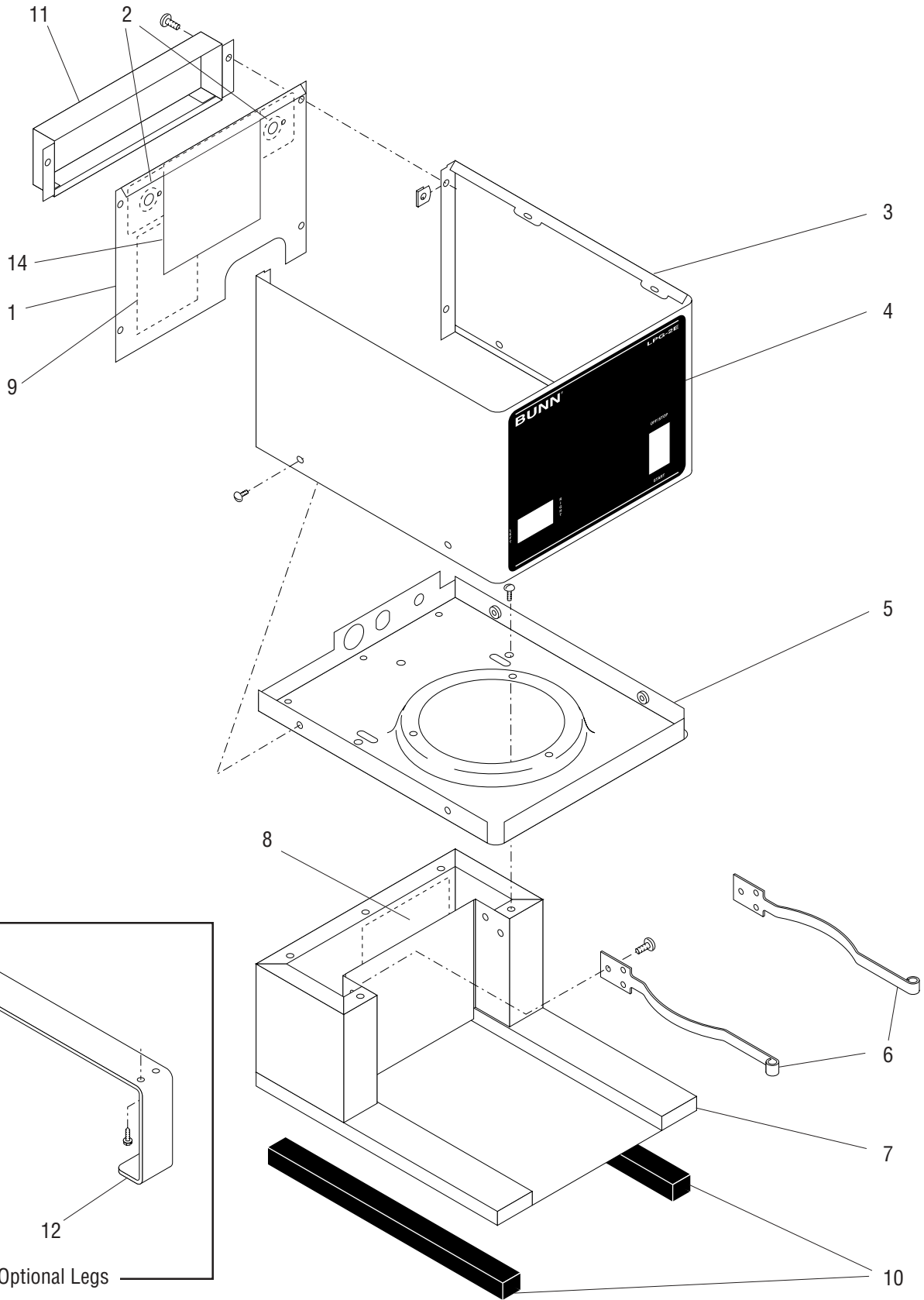
If BUNN determines in its sole discretion that the equipment does not conform to the warranty, BUNN, at its exclusive option while the equipment is under warranty, shall either 1) provide at no charge replacement parts and/or labor (during the applicable parts and labor warranty periods specified above) to repair the defective components, provided that this repair is done by a BUNN Authorized Service Representative; or 2) shall replace the equipment or refund the purchase price for the equipment.

THE BUYER'S REMEDY AGAINST BUNN FOR THE BREACH OF ANY OBLIGATION ARISING OUT OF THE SALE OF THIS EQUIPMENT, WHETHER DERIVED FROM WARRANTY OR OTHERWISE, SHALL BE LIMITED, AT BUNN'S SOLE OPTION AS SPECIFIED HEREIN, TO REPAIR, REPLACEMENT OR REFUND.

In no event shall BUNN be liable for any other damage or loss, including, but not limited to, lost profits, lost sales, loss of use of equipment, claims of Buyer's customers, cost of capital, cost of down time, cost of substitute equipment, facilities or services, or any other special, incidental or consequential damages.

TABLE OF CONTENTS

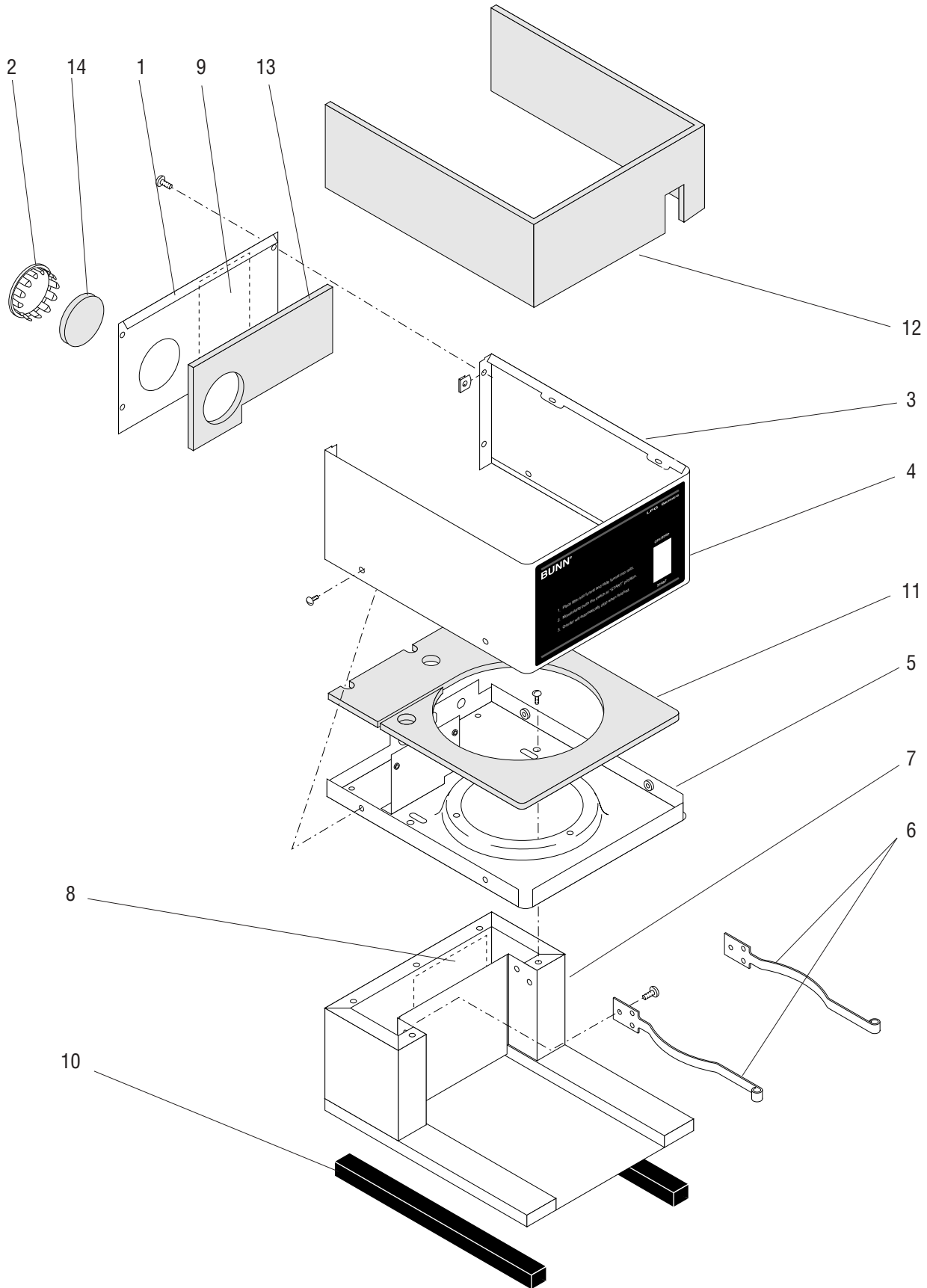
TITLE	PAGE NO.
Electrical and Operating Controls (Model LPG-2E)	14
Electrical and Operating Controls (Model LPG)	16
Hopper and Lid Assembly (Model LPG-2E)	8
Hopper and Lid Assembly (Model LPG)	10
Housing and Panels (Model LPG-2E)	4
Housing and Panels (Model LPG)	6
Motor, Burr Housing and Components (Model LPG-2E)	18
Motor, Burr Housing and Components (Model LPG)	20
Numerical Index	22
Solenoid and Components (Model LPG-2E)	12



HOUSING AND PANELS (Model LPG-2E)

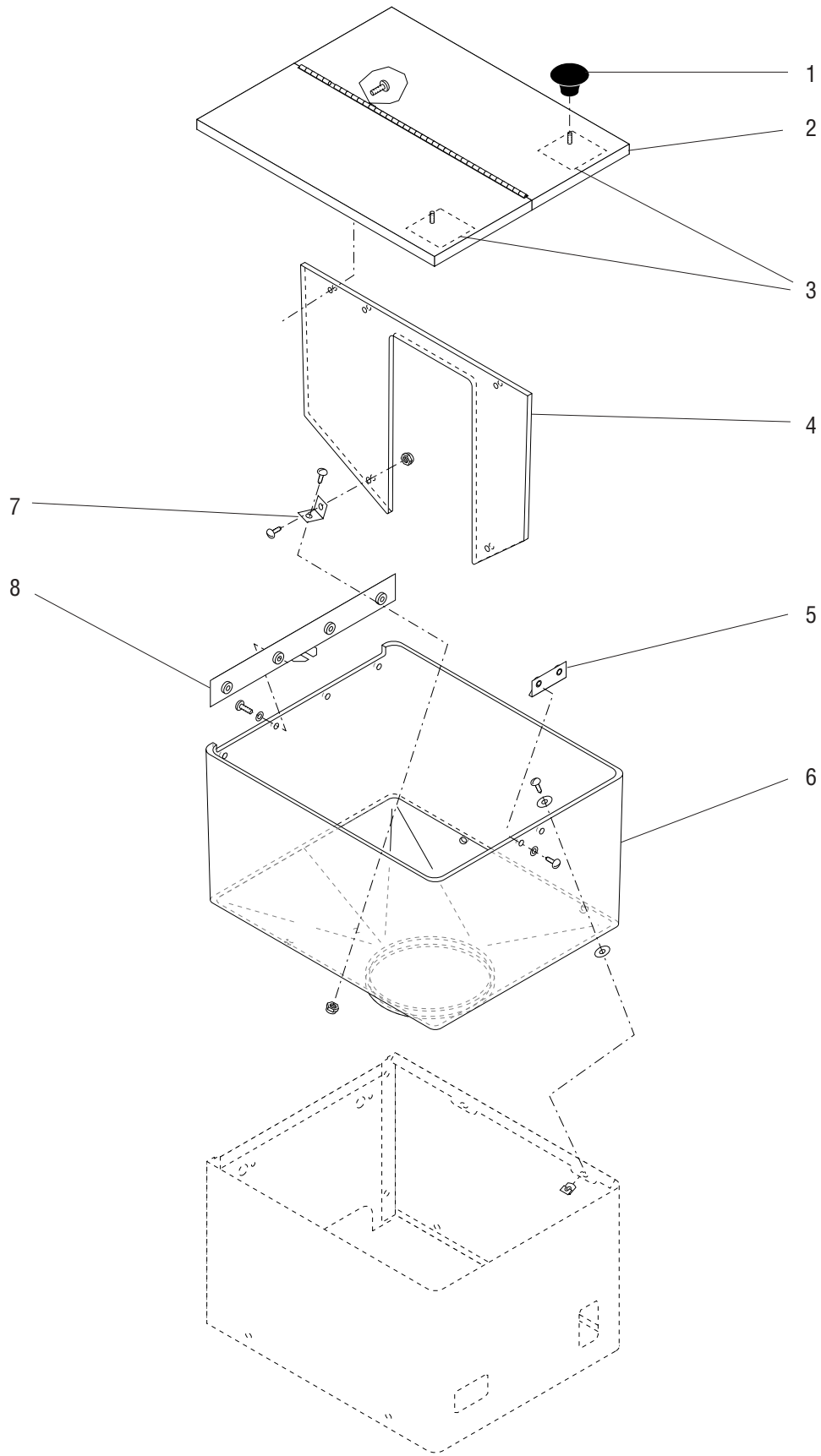
ITEM	PART NO.	QTY.	DESCRIPTION
1	29420.0002	1	Panel W/Decal, Rear (Includes items 2 & 9)
	20617.1010	1	Panel W/Decal, Rear (Includes items 2,9 & 14) (LPGA-2E, 230V)
	01315.0000	4	Screw, Truss Head #8-32 x .38".001
	00917.0000	4	Fastener, "J" Type #8
2	27096.0000	2	Decal, Timer Knob
3	20573.0002	1	Housing, Hopper (Also order item 4)
	01311.0000	4	Screw, Truss Head #8-32 x .25"
4	27095.0000	1	Decal, Hopper Housing
5	20585.0001	1	Support, Motor
	02308.0000	3	Screw, Pan Head Serrated #8-32 x .38"
6	05839.0000	2	Rail, Funnel
	02308.0000	4	Screw, Pan Head Serrated #8-32 x .38"
7	20591.1000	1	Housing W/Decals, Base (Includes item 8)
	20591.1001	1	Housing W/Decals, Base (Models with optional legs)(Includes item 8)
8	20545.0000	1	Decal, Warning - Electrical
9	27103.0000	1	Schematic, Electrical
	-----	1	Schematic, Electrical (LPGA-2E, 230V)
10	20704.0000	2	Pad, Base W/Adhesive Back (Not used on Models with Optional Legs)
11	28022.0000	1	Cover, Knob
12	28115.0000	2	Leg, Formed 3.50"
	02337.0002	8	Screw, Hex Head #10-32 x .50"
13	25137.0002	4	Foot, Rubber
	02324.0000	4	Nut, Acorn #8-32
14	25151.0001	1	Shield, Insulator (LPGA-2E, 230V)

} Optional



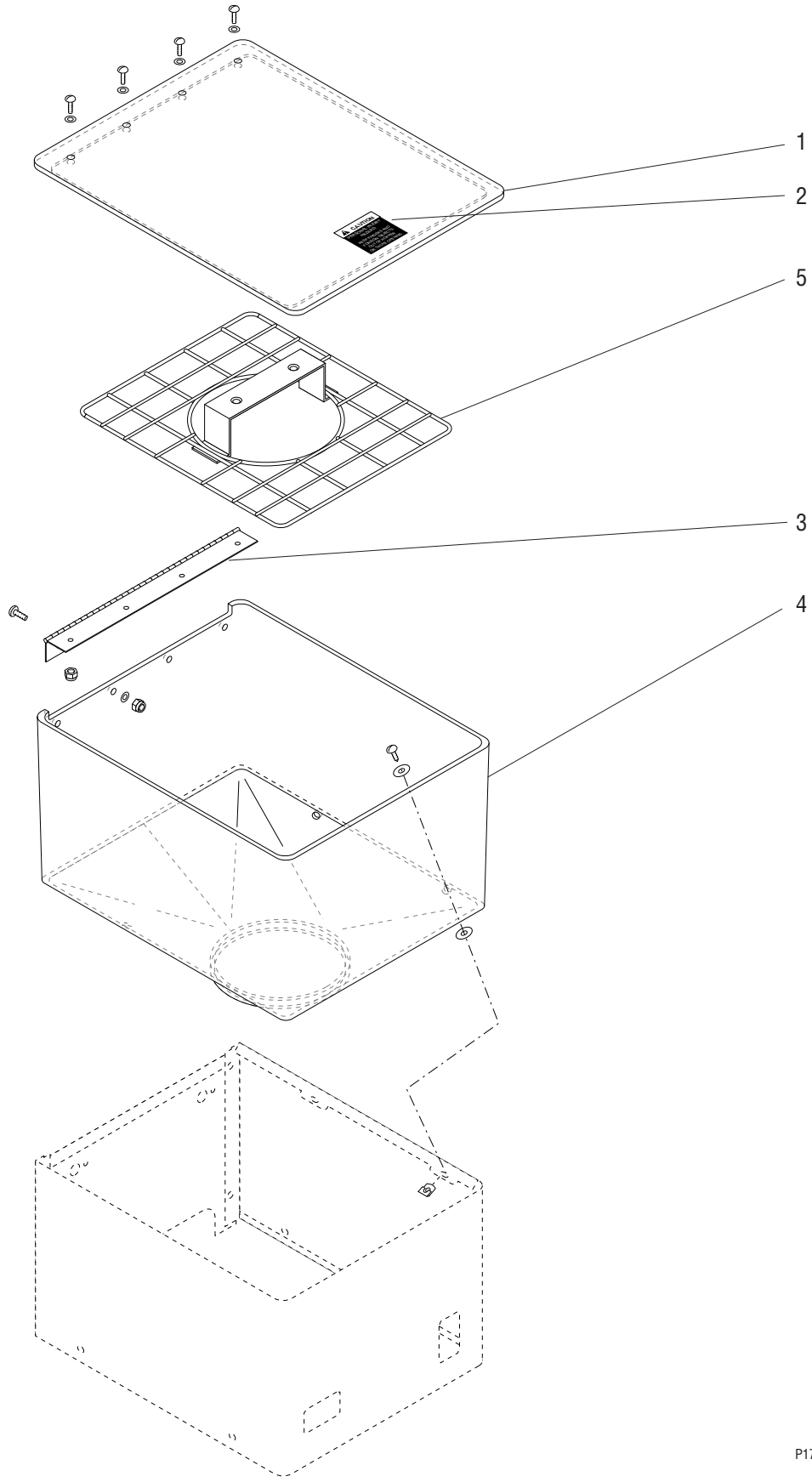
HOUSING AND PANELS (Model LPG)

ITEM	PART NO.	QTY.	DESCRIPTION
1	29420.0000	1	Panel W/Schematic, Rear, 120V (Models with Circuit Breaker)
	29420.0001	1	Panel W/Schematic, Rear, 120V (Models with Capacitor)
	20617.0004	1	Panel W/Schematic, Rear, 230V (Also order item 13)
	20617.0000	1	Panel, Rear, 100V (Also order item 13)
	20617.0008	1	Panel, Rear, 120V (Models with Black Decor)(Models with Capacitor)
	20617.0011	1	Panel, Rear, 120V (Models with Black Decor)(Models with Circuit Breaker)
	20617.0006	1	Panel, Rear, 230V (Models with Black Decor)
	02322.0002	4	Screw, Truss Head #8-32 x .375" (Models with Black Decor)
	01315.0000	4	Screw, Truss Head #8-32 x .375"
	00917.0000	4	Fastener, "J" Type #8
2	00619.0008	1	Plug, 2" Dia. (Also order item 14)
3	20573.0000	1	Housing, Hopper (Models with Circuit Breaker)
	29019.0000	1	Housing, Hopper (Models with Capacitor)
	20573.0004	1	Housing, Hopper (Models with Black Decor)
	02308.0000	4	Screw, Pan Head Serrated #8-32 x .375"
4	22303.0000	1	Decal, Hopper Housing
	-----	1	Decal, Hopper Housing (Models with Black Decor)(Not available)
5	20585.0000	1	Support, Motor (Also order item 11)
	02308.0000	5	Screw, Pan Head Serrated #8-32 x .38"
6	05839.0000	2	Rail, Funnel
	02308.0000	4	Screw, Pan Head Serrated #8-32 x .38"
7	20591.1000	1	Housing w/Decal, Base (3.88" tall) SST (Includes item 8)
	-----	1	Housing, Base (3.88" tall) BLK (Not available)
	20595.7000	1	Housing, Base (5.88" tall) BLK
8	20545.0000	1	Decal, Warning - Electrical
9	10529.0000	1	Schematic, Electrical (120V)(Models with Circuit Breaker)
	10529.0003	1	Schematic, Electrical (120V)(Models with Capacitor)
	-----	1	Schematic, Electrical (230V)(Not serviced)
	-----	1	Schematic, Electrical (100V)(Not serviced)
10	20704.0000	2	Pad, Base W/Adhesive Back
11	20727.0000	1	Insulation, Motor Support
12	20730.0000	1	Insulation, Hopper Housing (Models with Circuit Breaker)
	20730.0001	1	Insulation, Hopper Housing (Models with Capacitor)
13	20729.0000	1	Insulation, Rear Panel
14	20728.0000	1	Insulation, Hole Plug



HOPPER AND LID ASSEMBLY (Model LPG-2E)

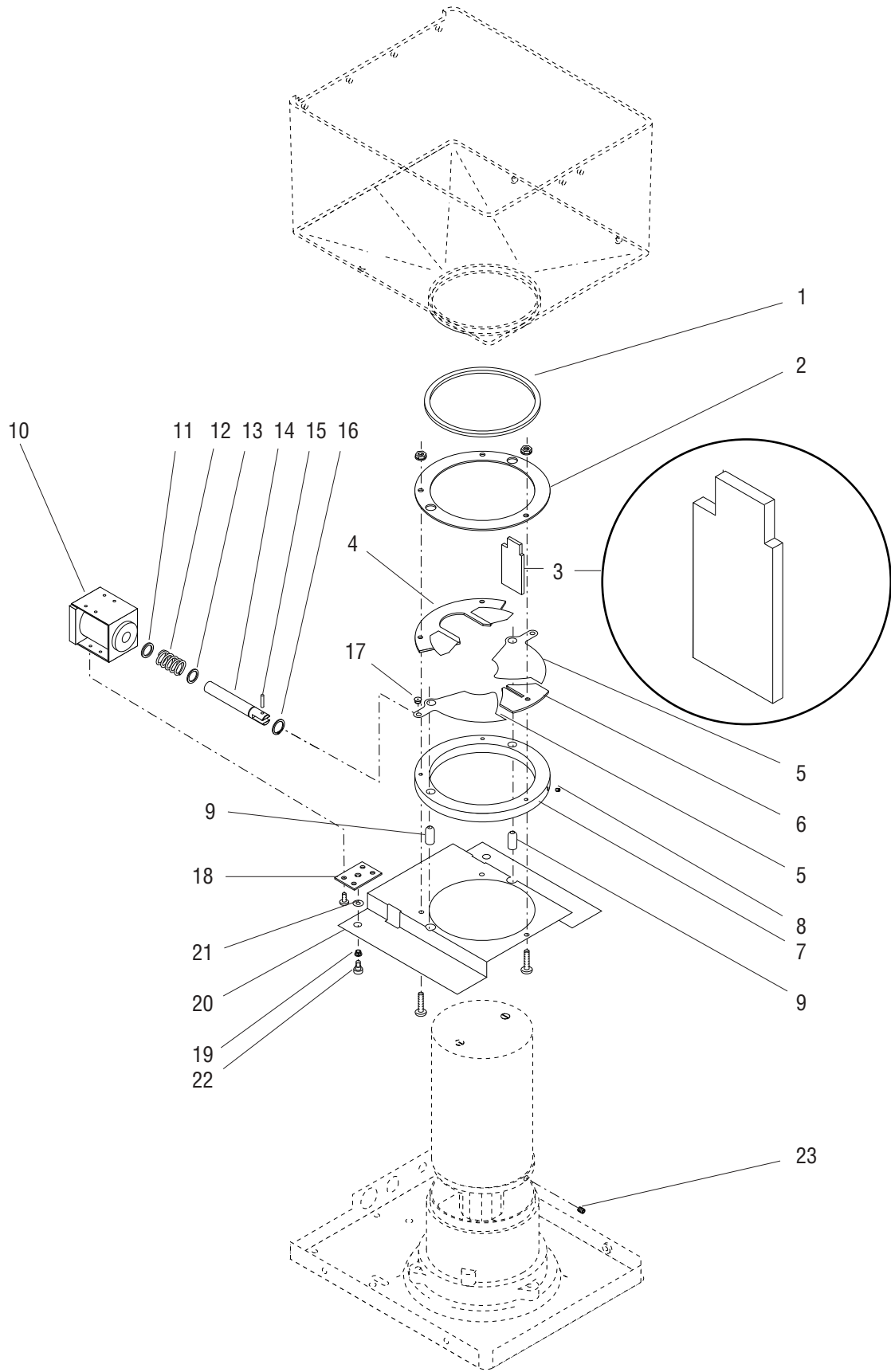
ITEM	PART NO.	QTY.	DESCRIPTION
-	27076.1000	1	Hopper/Lid Assy (Includes items 1 thru 8)
1	00725.0000	2	Knob, Hopper Lid
2	26855.1000	1	Lid & Hinge Assy W/ Decals, Hopper (Includes item 3)
	02328.0000	3	Screw, Pan Head Locking #6-32 x .38"
3	05876.0000	2	Decal, Caution
4	25997.0000	1	Divider, Hopper
	01317.0000	2	Screw, Truss Head #8-32 x .50"
	00991.0000	2	Nut, Elastic Lock #8-32
5	25994.0000	1	Brace, Divider
	01315.0000	2	Screw, Truss Head #8-32 x .38"
	01516.0000	2	Washer, Nylon-Retainer #8 x .312" O.D.
6	20751.0001	1	Hopper
	01315.0000	4	Screw, Truss Head #8-32 x .3/8"
	01516.0001	8	Washer, Nylon-Retainer #8 x .50" O.D.
	00917.0000	4	Fastener, "J" Type #8
7	20694.0000	2	Bracket, Divider Mounting
	01317.0000	2	Screw, Truss Head #8-32 x .50"
	00991.0000	2	Nut, Elastic Lock #8-32
8	25996.0000	1	Bracket, Hopper Filler
	01315.0000	4	Screw, Truss Head #8-32 x .38"
	01516.0000	4	Washer, Nylon-Retainer #8 x .312" O.D.



P1727

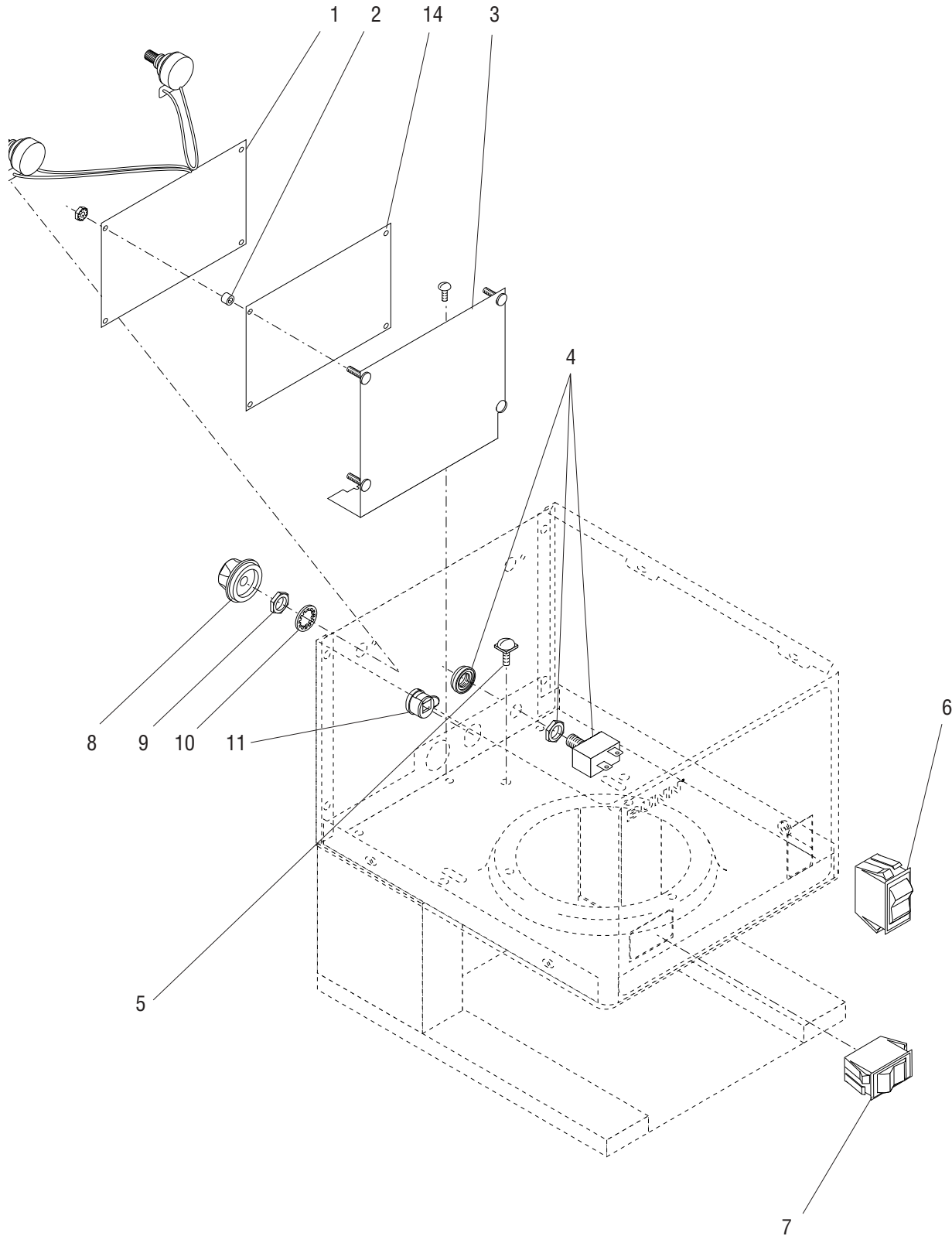
HOPPER AND LID ASSEMBLY (Model LPG)

ITEM	PART NO.	QTY.	DESCRIPTION
-	21233.0000	1	Hopper/Lid Kit (Includes items 1 thru 4)
1	27218.0000	1	Lid w/Decal, Hopper (Includes item 2)
	02367.0000	4	Screw, Truss Head #6-32 x .625"
	21129.0000	4	Washer
	00991.0002	4	Nut, Elastic Lock #6-32
2	05876.0000	1	Decal, Caution
3	05966.0003	1	Hinge
	01380.0000	4	Screw, Truss Head #6-32 x .50"
	21129.0000	4	Washer
	00991.0002	4	Nut, Elastic Lock #6-32
4	20751.0000	1	Hopper
	01315.0000	4	Screw, Truss Head #8-32 x .375"
	01516.0001	8	Washer, Nylon-Retainer #8 x .50" O.D.
	00917.0000	4	Fastener, "J" Type #8
5	27101.0000	1	Guard, Hopper Burr
6	27119.0000	1	Hopper Burr Guard Kit (Includes item 5 and two 20609.0001 mounting screws)



SOLENOID AND COMPONENTS (Model LPG-2E)

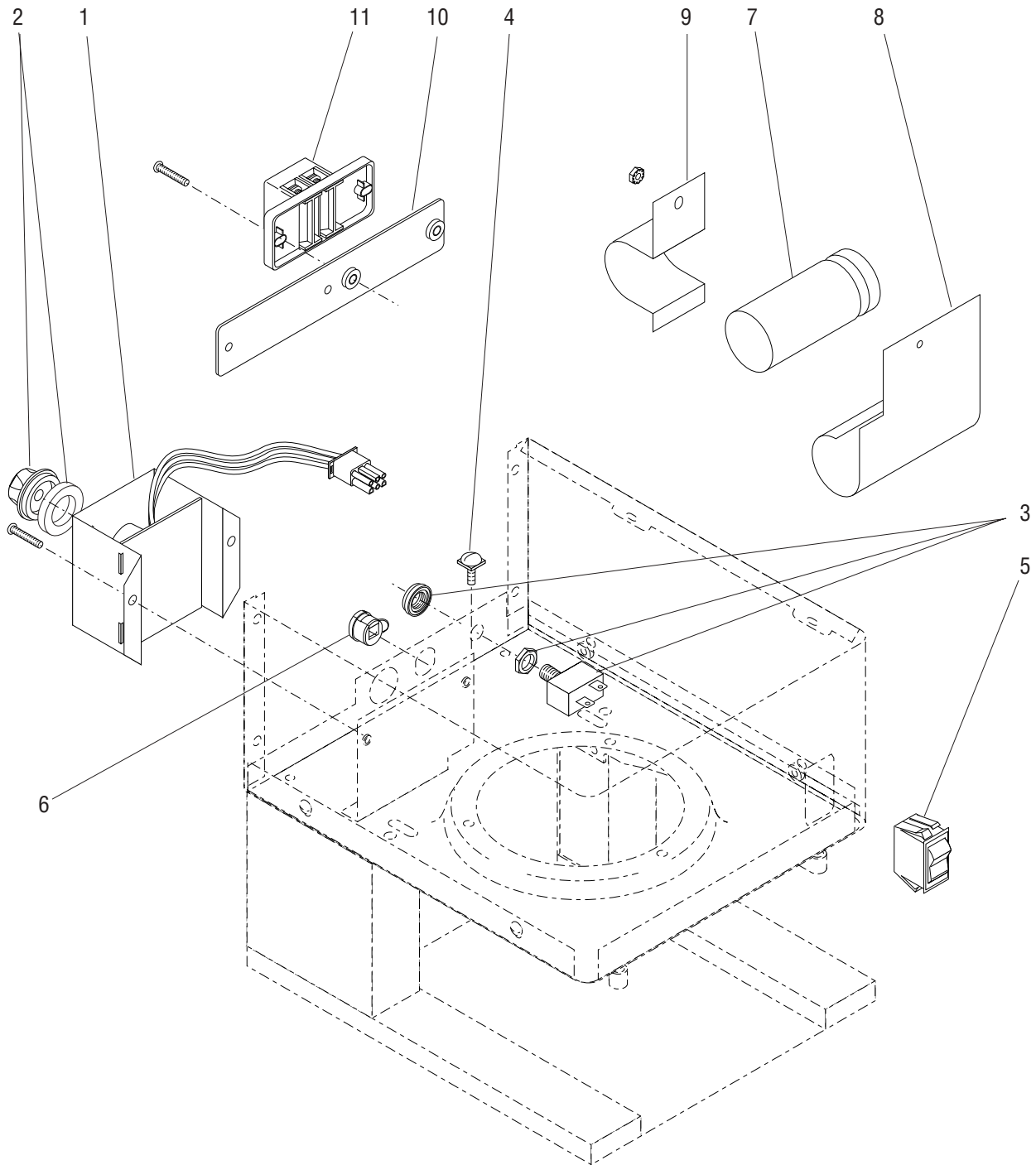
ITEM	PART NO.	QTY.	DESCRIPTION
1	20611.0000	1	Gasket, Motor/Hopper
2	23976.0000	1	Ring, Retaining
	01370.0000	3	Screw, Pan Head #8-32 x .75"
	00970.0000	3	Nut, Keps #8-32
3	26854.0000	1	Divider, Burr Housing
4	26824.0000	1	Plate, Filler
5	23978.0000	2	Plate, Slide
6	23979.0000	1	Plate, Spacer
7	23983.0000	1	Ring, Mounting
8	27102.0000	1	Setscrew, Cup Point #10-32 x .38"
9	27089.0000	2	Pin, Dowel
10	05939.0005	2	Solenoid & Bracket Assembly
	05939.0006	2	Solenoid & Bracket Assembly w/leads (LPGA-2E, 230V)
	01311.0000	8	Screw, Truss Head #8-32 x .25"
11	23923.0000	2	Washer .063" Thick
12	27087.0000	2	Spring
13	23922.0000	2	Washer .035" Thick
14	27086.0000	2	Plunger, Solenoid
15	02858.0000	2	Pin, Spring .125" Dia.
16	23919.0000	2	Ring, Snap
17	26033.0001	2	Bearing, Snap-in
18	23975.0000	2	Bracket, Solenoid Mounting
19	21438.0002	2	Washer, Shoulder .203" I.D.
20	23982.0000	1	Plate, Solenoid Mounting
21	27088.0000	2	Washer, Nylon
22	24457.0000	2	Screw, Shoulder #8-32 x .125" Long
23	21484.0000	1	Setscrew, Burr Housing Divider Retaining, Cup Point #8-32 x .38"



ELECTRICAL AND OPERATING CONTROLS (Model LPG-2E)

ITEM	PART NO.	QTY.	DESCRIPTION
1	27093.0000	1	Control Board, Timer (Includes items 9 and 10)
	27093.0001	1	Timer, Dual Hopper (LPGA-2E, 230V)
	00973.0000	4	Nut, Keps #6-32
2	01533.0004	4	Spacer, Nylon .14" I.D. x .25" O.D. x .19" Long
3	26950.0000	1	Bracket, Timer Board Mounting
	26950.0001	1	Bracket, Timer Board Mounting (LPGA-2E, 230V)
	02308.0000	2	Screw, Pan Head Serrated #8-32 x .38"
4	20987.0000	1	Circuit Breaker, 3 Amp
5	01309.0000	1	Screw, Power Cord Ground, Pan Head W/Terminal Washer #10-32 x .50"
6	05815.0000	1	Switch, OFF/ON/START
7	06536.0000	1	Switch, Hopper Selector
8	02239.0000	2	Knob, Timer
9	27348.0000	2	Nut .375"-32
10	01532.0001	2	Lockwasher, Internal Tooth
11	00707.0000	1	Bushing, Strain Relief
12	20630.0001	1	Cord Assy, Power(120V)
	27728.0007	1	Cord Assy, Power (LPGA-2E) (230V)
13	27098.0000	1	Harness, Wiring
14	27655.0000	1	Shield, Circuit Board

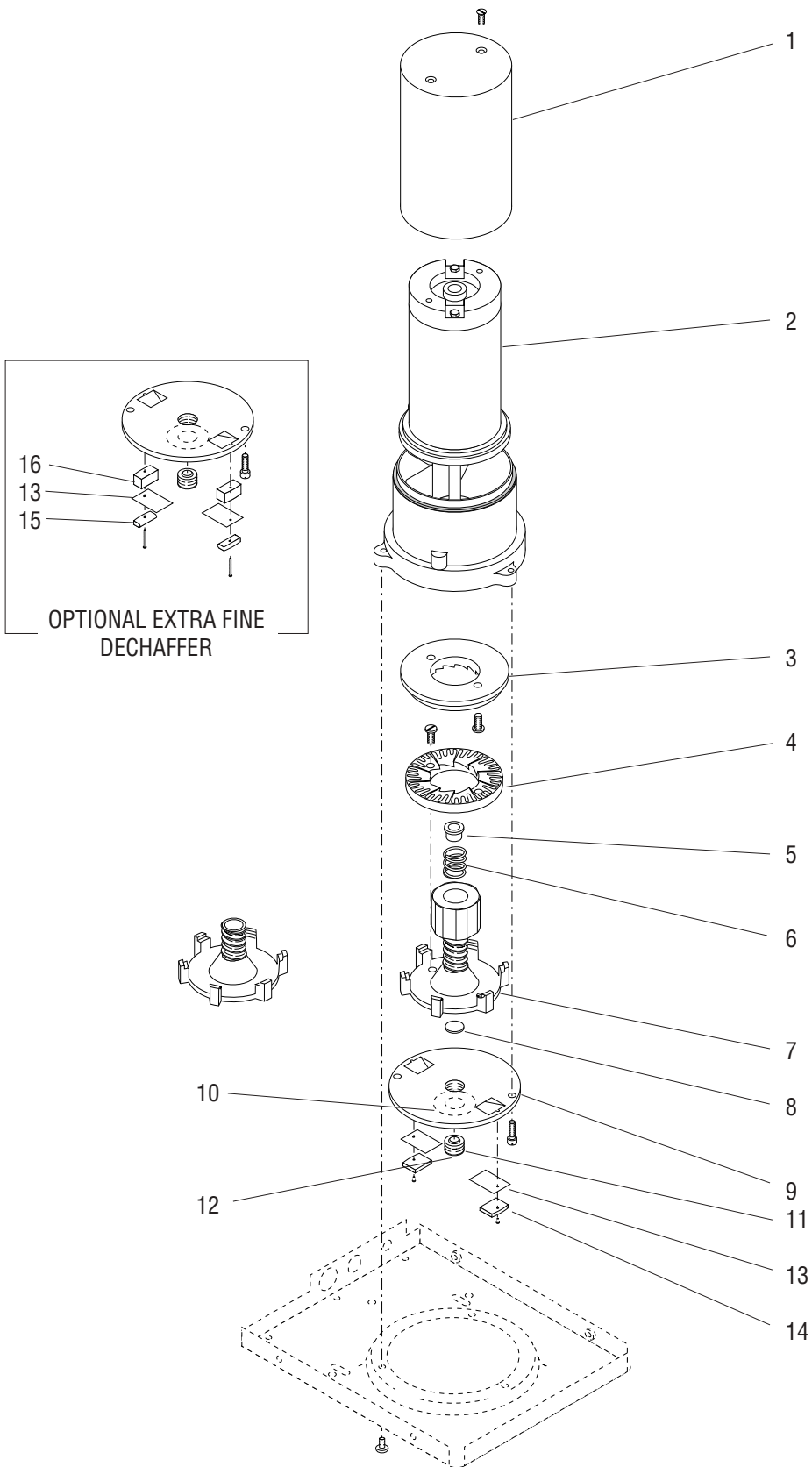
} Not Illustrated



ELECTRICAL AND OPERATING CONTROLS (Model LPG)

ITEM	PART NO.	QTY.	DESCRIPTION
1	20529.1000	1	Timer 120V (Includes item 2)
	20529.1001	1	Timer 230V (Includes item 2)
	02308.0000	2	Screw, Pan Head Serrated #8-32 x .375"
	01516.0000	2	Washer
2	02239.0000	1	Knob, Timer (Includes setscrew)
	02248.0000	1	Washer, Adhesive backed
3	20987.0000	1	Circuit Breaker, 3 Amp (Models without Capacitor)
4	01309.0000	1	Screw, Power Cord Ground, W/Terminal Washer #10-32 x .50" (120V)
	01375.0000	1	Screw, Power Cord Ground, Brass #10-32 x .50" (230V)
	01512.0000	1	Lockwasher, Ext-tooth #10 (230V)
5	11074.0000	1	Switch, OFF/START (Early Models)
	05815.0000	1	Switch, OFF/ON/START (Late Models)
6	00707.0000	1	Bushing, Strain Relief (120V)
	05746.0000	1	Bushing, Strain Relief (240V)
7	29020.0000	1	Capacitor (Models with Capacitor)
8	00637.0005	1	Shield (Models with Capacitor)
9	29021.0000	1	Bracket, Capacitor Mounting (Models with Capacitor)
	00970.0000	1	Nut, KEPS #8-32
10	21878.0000	1	Plate, Terminal Block Mounting (230V)
11	01106.0001	1	Terminal Block (230V)
	01317.0000	2	Screw, Truss Head #8-32 x .50"
12	20630.0001	1	Cord Assy, Power (120V and 100V)
	28111.0002	1	Cord Assy, Power W/terminals (230V)
	27728.0004	1	Cord Assy, Power W/O terminals (230V)
13	20624.0000	1	Harness, Main Wiring
	20624.0002	1	Harness, Main Wiring (Models with Capacitor)
14	20657.0000	1	Harness, Switch Wiring
15	06064.0000	1	Label, Cord Warning (120V)
16	-----	1	Decal, Grounding (230V)(Not serviced)
17	21000.0282	1	Lead, BLK 7.00" (230V) Terminal Block to Black Wire on Main Wiring Harness
18	21003.0058	1	Lead, BLK 5.00" (230V) Terminal Block to White Wire on Main Wiring Harness

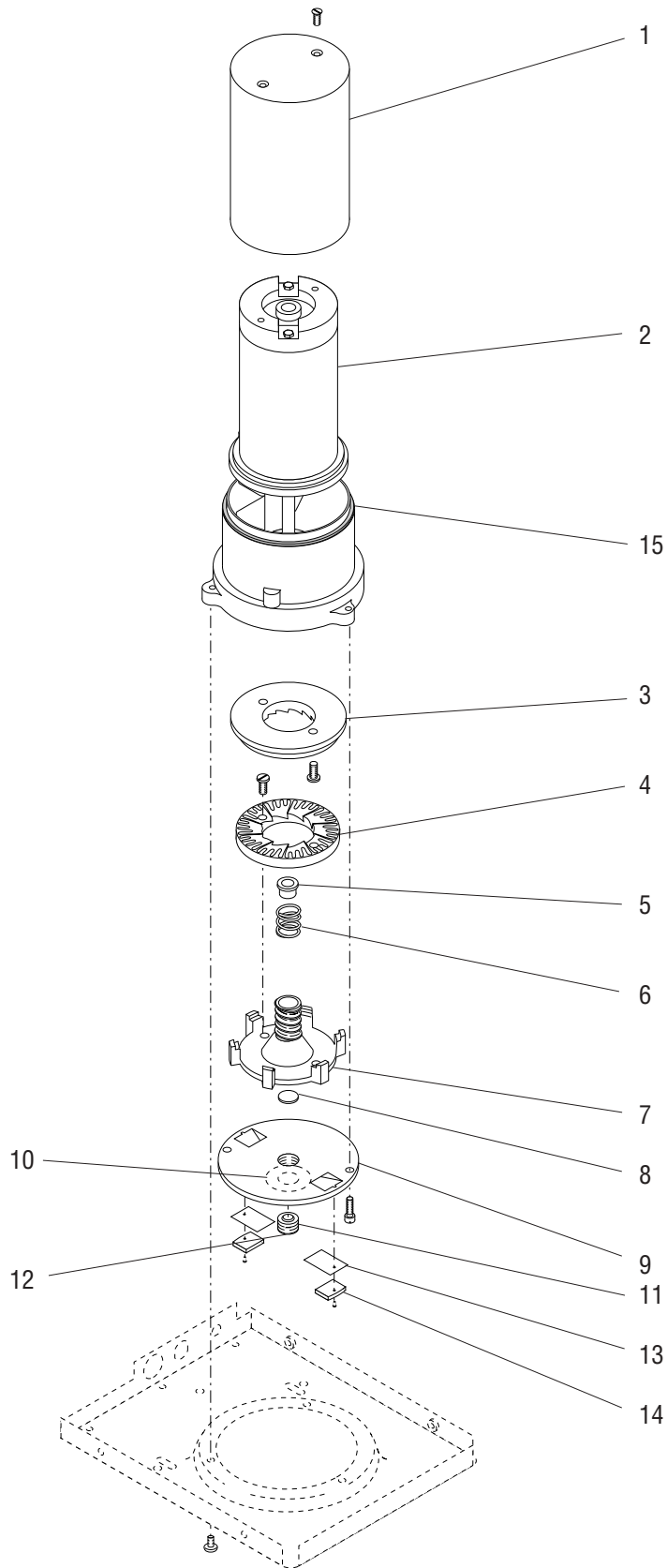
Not Illustrated



MOTOR, BURR HOUSING AND COMPONENTS (Model LPG-2E)

ITEM	PART NO.	QTY.	DESCRIPTION
1	20576.0000	1	Cover, Motor
	20609.0000	2	Screw, Flat Head #8-32 x .50"
2	25909.1000	1	Motor & Housing Assy (Includes Terminals)
	25909.1001	1	Motor & Housing Assy (Includes Terminals) (LPGA-2E, 230V)
	01326.0000	3	Screw, Truss Head #10-32 x .25"
3	-----	1	Burr, Upper (Order item 17)
	20669.0000	2	Screw, Binding Head #10-32 x .29"
4	-----	1	Burr, Lower (Order item 17)
	20669.0000	2	Screw, Binding Head #10-32 x .29"
5	20667.0000	1	Bushing, Spring Retainer
6	20666.0000	1	Spring, Burr Rotor
7	26043.0000	1	Rotor Assy (Includes item 6)
8	20670.0000	1	Disc, Load
9	20673.1000	1	Cap, Burr Housing (Includes item 10)
	20672.0000	2	Screw, Fillister Head #10-32 x .62"
10	05880.0002	1	Decal, Grind Indicator
11	20671.1000	1	Screw, Burr Adjusting (Includes item 12)
12	05796.0000	1	Decal, Adjusting Screw
13	20588.0000	2	Spring Plate, Dechaffing
14	20572.0000	2	Support, Dechaffer
	02336.0001	2	Screw, Truss Head #4-40 x .31"
15	33223.0000	2	Support, Dechaffer
	02336.0003	2	Screw, Truss Head #4-40 x .68"
16	33222.0000	2	Support, Dechaffer
17	05861.1002	-	Burr Kit (Includes items 3, 4 and Mounting Screws)
18	20620.0000	1	Burr Adjuster (Not Illustrated)

} Optional. Models with
Extra Fine Dechaffer



MOTOR, BURR HOUSING AND COMPONENTS (Model LPG)

ITEM	PART NO.	QTY.	DESCRIPTION
1	20576.0000	1	Cover, Motor
	20609.0001	2	Screw, Flat Head #8-32 x .625"
2	20646.1004	1	Motor & Housing Assy, High Output (120V)(Includes items 3 thru 15)
	20646.1003	1	Motor & Housing Assy (230V)(Includes items 3 thru 15)
	20646.1002	1	Motor & Housing Assy (100V)(Includes items 3 thru 15)
	01326.0000	3	Screw, Truss Head #10-32 x .25"
3	-----	1	Burr, Upper (Order item 16)
	20669.0000	2	Screw, Binding Head #10-32 x .29"
4	-----	1	Burr, Lower (Order item 16)
	20669.0000	2	Screw, Binding Head #10-32 x .29"
5	20667.0000	1	Bushing, Spring Retainer
6	20666.0000	1	Spring, Burr Rotor
7	20668.0000	1	Rotor Assy (100V and 230V)
	20668.0001	1	Rotor Assy, High Output (120V)
8	20670.0000	1	Disc, Load
9	20673.1000	1	Cap, Burr Housing (Includes item 10)
	20672.0000	2	Screw, Fillister Head #10-32 x .625"
10	05880.0002	1	Decal, Grind Indicator
11	20671.1000	1	Screw, Burr Adjusting (Includes item 12)
12	05796.0000	1	Decal, Adjusting Screw
13	20588.0000	2	Spring Plate, Dechaffing
14	20572.0000	2	Support, Dechaffer
	02336.0001	2	Screw, Truss Head #4-40 x .312"
15	20611.0000	1	Gasket
16	05861.1002	-	Burr Kit (Includes items 3, 4 and Mounting Screws)
17	20620.0000	1	Burr Adjuster (Not Illustrated)

NUMERICAL INDEX

PART NO.	PAGE NO.	PART NO.	PAGE NO.	PART NO.	PAGE NO.	PART NO.	PAGE NO.
00619.0008	7	20573.0000	7	22303.0000	7		
00637.0005	17	20573.0001	7	23919.0000	13		
00707.0000	15,17	20573.0002	5	23922.0000	13		
00725.0000	9	20576.0000	19,21	23923.0000	13		
00917.0000	5,7,9,11	20585.0000	7	23975.0000	13		
00970.0000	13,17	20585.0001	5	23976.0000	13		
00973.0000	15	20588.0000	19,21	23978.0000	13		
00991.0000	9	20591.1000	5,7	23979.0000	13		
00991.0002	11	20591.1001	5	23982.0000	13		
01106.0001	17	20595.7000	7	23983.0000	13		
01309.0000	15,17	20609.0000	19	24457.0000	13		
01311.0000	5,13	20609.0001	21	25137.0002	5		
01315.0000	5,7,9,11	20611.0000	13,21	25151.0001	5		
01317.0000	9,17	20617.0000	7	25909.1000	19		
01326.0000	19,21	20617.0004	7	25909.1001	19		
01370.0000	13	20617.0006	7	25994.0000	9		
01375.0000	17	20617.0008	7	25996.0000	9		
01380.0000	11	20617.0011	7	25997.0000	9		
01512.0000	17	20617.1010	5	26033.0001	13		
01516.0000	9,17	20620.0000	19,21	26043.0000	19		
01516.0001	9,11	20624.0000	17	26824.0000	13		
01532.0001	15	20624.0002	17	26854.0000	13		
01533.0004	15	20630.0001	15,17	26855.1000	9		
02239.0000	15,17	20646.1002	21	26950.0000	15		
02248.0000	17	20646.1003	21	26950.0001	15		
02308.0000	5,7,15,17	20646.1004	21	27076.1000	9		
02322.0002	7	20657.0000	17	27086.0000	13		
02324.0000	5	20666.0000	19,21	27087.0000	13		
02328.0000	9	20667.0000	19,21	27088.0000	13		
02336.0001	19,21	20668.0000	21	27089.0000	13		
02336.0003	19	20668.0001	21	27093.0000	15		
02337.0002	5	20669.0000	19,21	27093.0001	15		
02367.0000	11	20670.0000	19,21	27095.0000	5		
02858.0000	13	20671.1000	19,21	27096.0000	5		
05746.0000	17	20672.0000	19,21	27098.0000	15		
05796.0000	19,21	20673.1000	19,21	27101.0000	11		
05815.0000	15,17	20694.0000	9	27102.0000	13		
05839.0000	5,7	20704.0000	5,7	27103.0000	5		
05861.1002	19,21	20727.0000	7	27119.0000	11		
05876.0000	9,11	20728.0000	7	27218.0000	11		
05880.0002	19,21	20729.0000	7	27348.0000	15		
05939.0005	13	20730.0000	7	27655.0000	15		
05939.0006	13	20730.0001	7	27728.0004	17		
05966.0003	11	20751.0000	11	27728.0007	15		
06064.0000	17	20751.0001	9	28022.0000	5		
06536.0000	15	20987.0000	15,17	28111.0002	17		
10529.0000	7	21000.0282	17	28115.0000	5		
10529.0003	7	21003.0058	17	29019.0000	7		
11074.0000	17	21129.0000	11	29020.0000	17		
20529.1000	17	21233.0000	11	29021.0000	17		
20529.1001	17	21438.0002	13	29420.0000	7		
20545.0000	5,7	21484.0000	13	29420.0001	7		
20572.0000	19,21	21878.0000	17	29420.0002	5		
				33222.0000	19		
				33223.0000	19		