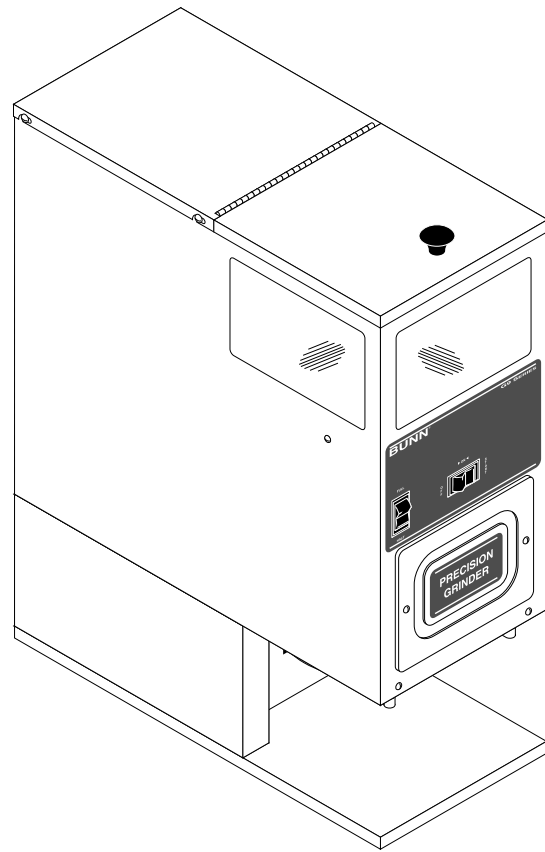
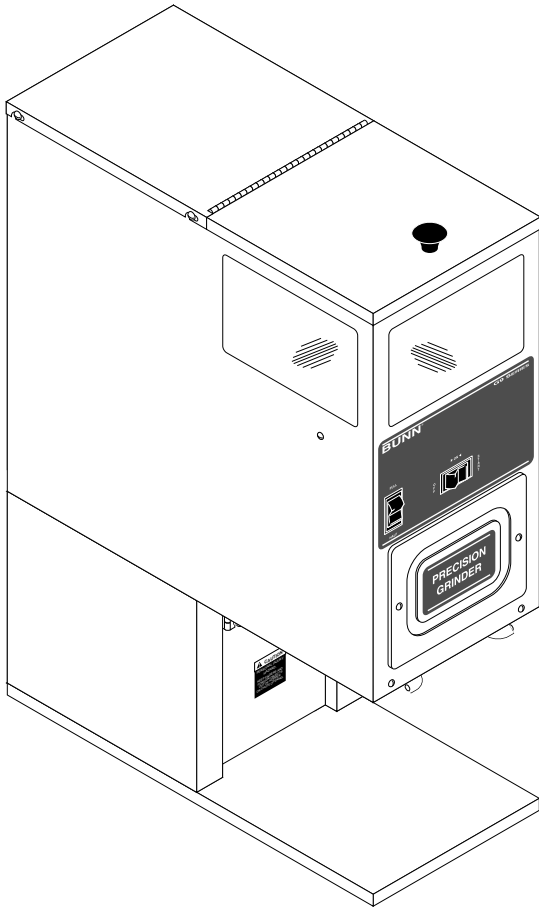


BUNN®

G9 HD

G9T HD



ILLUSTRATED PARTS CATALOG

Designs, materials, weights, specifications, and dimensions for equipment or replacement parts are subject to change without notice.

BUNN-O-MATIC CORPORATION

POST OFFICE BOX 3227

SPRINGFIELD, ILLINOIS 62708-3227

PHONE: (217) 529-6601 FAX: (217) 529-6644

WARRANTY

Bunn-O-Matic Corp. ("Bunn") warrants the equipment manufactured by it to be commercially free from defects in material and workmanship existing at the time of manufacture and appearing within one year from the date of installation. In addition:

1.) Bunn warrants electronic circuit and/or control boards to be commercially free from defects in material and workmanship for three years from the date of installation.

2.) Bunn warrants the compressor on refrigeration equipment to be commercially free from defects in material and workmanship for two years from the date of installation.

3.) Bunn warrants that the grinding burrs on coffee grinding equipment will grind coffee to meet original factory screen sieve analysis for three years from date of installation or for 30,000 pounds of coffee, whichever comes first.

This warranty does not apply to any equipment, component or part that was not manufactured by Bunn or that, in Bunn's judgement, has been affected by misuse, neglect, alteration, improper installation or operation, improper maintenance or repair, damage or casualty.

THE FOREGOING WARRANTY IS EXCLUSIVE AND IS IN LIEU OF ANY OTHER WARRANTY, WRITTEN OR ORAL, EXPRESS OR IMPLIED, INCLUDING, BUT NOT LIMITED TO, ANY IMPLIED WARRANTY OF EITHER MERCHANTABILITY OR FITNESS FOR A PARTICULAR PURPOSE. The agents, dealers or employees of Bunn are not authorized to make modifications to this warranty or to make additional warranties that are binding on Bunn. Accordingly, statements by such individuals, whether oral or written, do not constitute warranties and should not be relied upon.

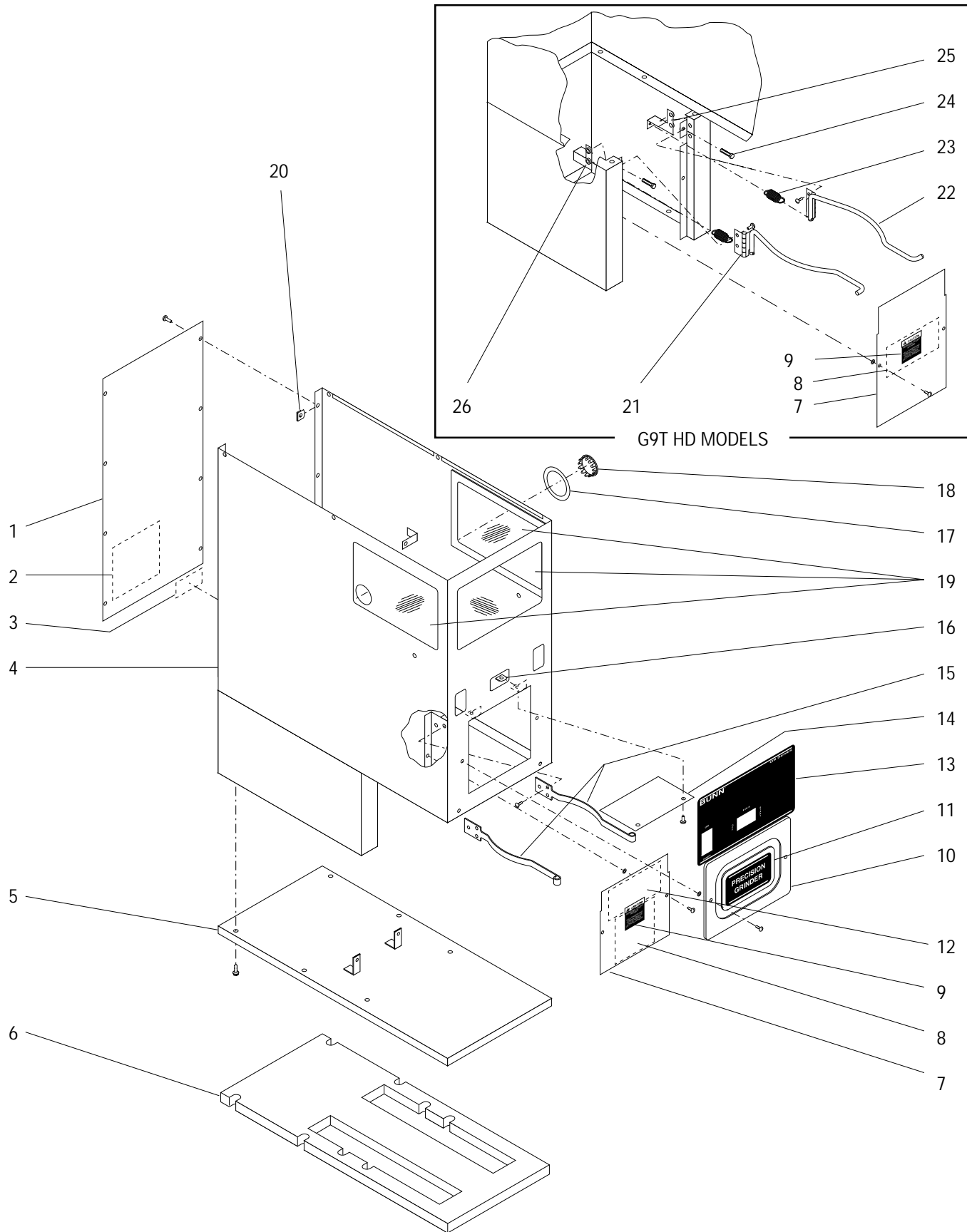
The Buyer shall give Bunn prompt notice of any claim to be made under this warranty by telephone at (217) 529-6601 or by writing to Post Office Box 3227, Springfield, Illinois, 62708-3227. If requested by Bunn, the Buyer shall ship the defective equipment prepaid to an authorized Bunn service location. If Bunn determines, in its sole discretion, that the equipment does not conform to the warranty, Bunn shall repair the equipment with no charge for parts during the warranty period and no charge for labor by a Bunn Authorized Service Representative during the warranty period. If Bunn determines that repair is not feasible, Bunn shall, at its sole option, replace the equipment or refund the purchase price for the equipment.

THE BUYER'S REMEDY AGAINST BUNN FOR THE BREACH OF ANY OBLIGATION ARISING OUT OF THE SALE OF THIS EQUIPMENT, WHETHER DERIVED FROM WARRANTY OR OTHERWISE, SHALL BE LIMITED, AS SPECIFIED HEREIN, TO REPAIR OR, AT BUNN'S SOLE OPTION, REPLACEMENT OR REFUND.

In no event shall Bunn be liable for any other damage or loss, including, but not limited to, lost profits, lost sales, loss of use of equipment, claims of Buyer's customers, cost of capital, cost of down time, cost of substitute equipment, facilities or services, or any other special, incidental or consequential damages.

TABLE OF CONTENTS

TITLE	PAGE NO.
Electrical Controls.....	12
Hopper & Lid Assy	8
Housing, Base and Panels	4
Motor, Burr Housing and Mounting Plate	10
Numerical Index	16

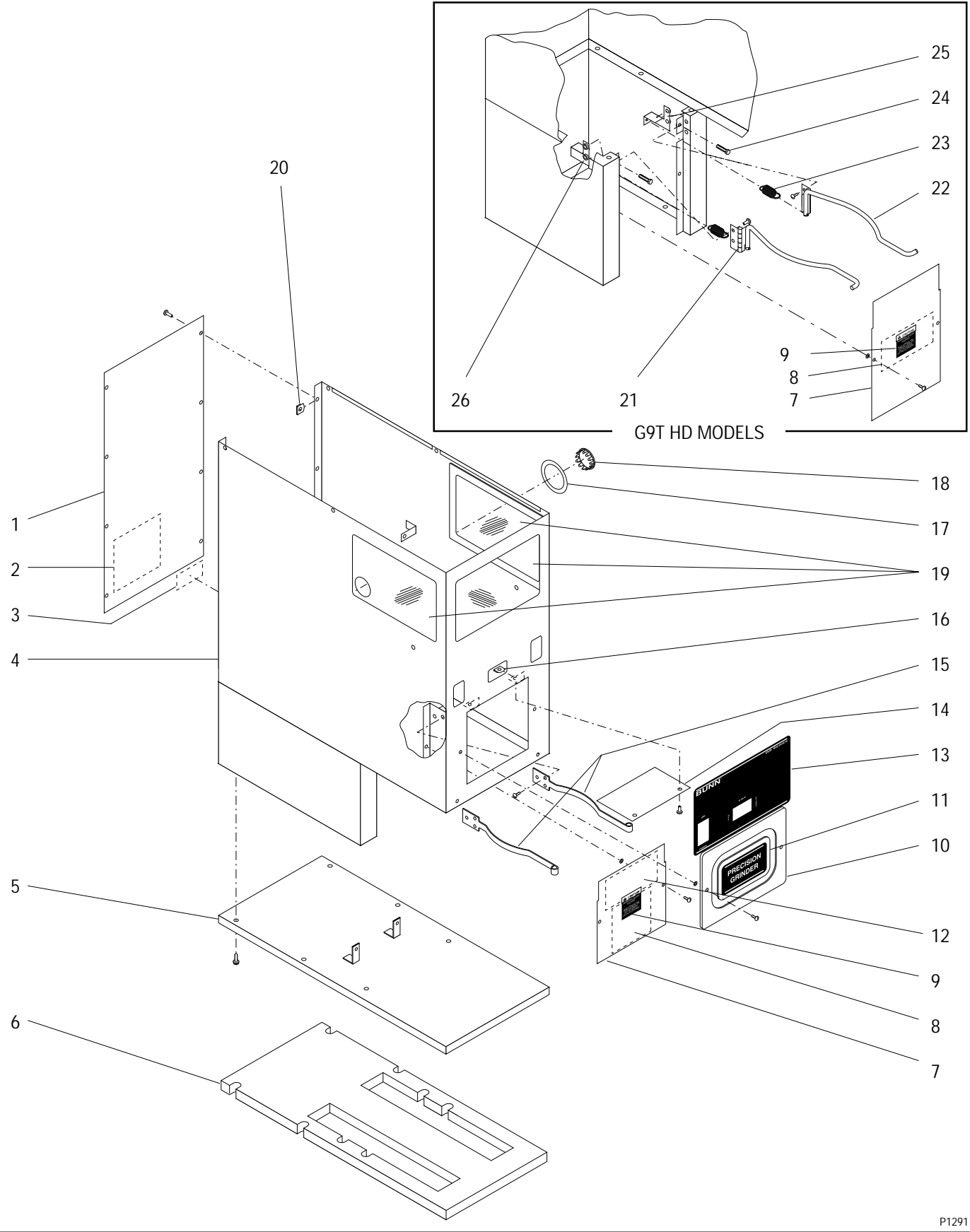


HOUSING, BASE AND PANELS

ITEM	PART NO.	QTY.	DESCRIPTION	
1	05844.1000	1	Rear Panel W/Decal (Includes item 2)	
	01315.0000	8	Screw, Truss Head #8 - 32 x .38"	
	02322.0002	8	Screw, Truss Head (BLK) #8 - 32 x .38"	
2	20545.0000	1	Decal, Warning Electrical	
3	24237.0000	1	Decal, Notice - Interface Voltage	
4	25407.0000	1	Housing Assy W/Decals (G9 HD 120V)	Includes items 3, 16, 17 & 3 of item 19. Also order item 13
	25407.0001	1	Housing Assy W/Decals (G9 HD 240V)	
	25408.0000	1	Housing Assy W/Decals (G9T HD 120V)	
	25408.0001	1	Housing Assy W/Decals (G9T HD 240V)	
	25407.0005	1	Housing Assy W/Decals (BLK)(G9 HD 120V)	
5	05809.0000	1	Base (G9 HD) (Shown)	
	05809.0002	1	Base (G9 HD)(BLK) (Shown)	
	05752.0000	1	Base (G9T HD)	
	02311.0000	6	Screw, Hex Crimptite 10 - 32 x .50"	
6	05816.0000	1	Pad, Base	
7	21619.1000	1	Panel Assy W/Decals (120V) (G9 HD)	Includes screws and washers below and items 8 & 9
	21619.1008	1	Panel Assy W/Decals (BLK)(120V) (G9 HD)	
	21619.1003	1	Panel Assy W/Decals (120V) (G9T HD)	Includes screws and washers below and item 9
	21619.1002	1	Panel Assy W/Decals (240V) (G9 HD)	
	21619.1005	1	Panel Assy W/Decals (240V) (G9T HD)	
	23346.1000	1	Panel Assy W/Decals (120V) (G9 HD W/Multi Set Option)	Includes screws and washers below and items 8 & 9
	23356.1000	1	Panel Assy W/Decals (120V) (G9T HD W/Multi Set Option)	
	01380.0000	2	Screw, Truss Head #6 - 32 x .50"	
	01382.0002	2	Screw, Truss Head (BLK) #6 - 32 x .50"	
	01518.0000	2	Washer, Screw Retaining #6	
8	10173.0000	1	Schematic 120V	
	10215.0000	1	Schematic 120V (Grinders with Multi Set Option)	
9	05876.0000	1	Decal, Caution	
10	21620.1000	1	Cover Assy W/Decal (Includes screws and washers below and item 11 & 12)	
	21620.1011	1	Cover Assy W/Decal (BLK) (Includes screws and washers below and item 11 & 12)	
	01380.0000	2	Screw, Truss Head #6 - 32 x .50"	
	01518.0000	2	Washer, Screw Retaining #6	
	01382.0002	2	Screw, Truss Head (BLK) #6 - 32 x .50"	
11	24240.0000	1	Decal, Precision Grinder	
12	10239.0000	1	Label, Timer Setting	
13	24239.0002	1	Decal, Control Panel (Grinders with Single Set)	
	24239.0003	1	Decal, Control Panel (Grinders with Multi Set Option) (Shown)	
	24239.0004	1	Decal, Control Panel (Grinders with Half Batch Option)	
14	05827.0000	1	Plate, Switch Shield	
	02308.0000	2	Screw, Pan Head #8 - 32 x .38"	
15	05839.0000	2	Funnel Rail	
	02308.0000	4	Screw, Pan Head #8 - 32 x .38"	

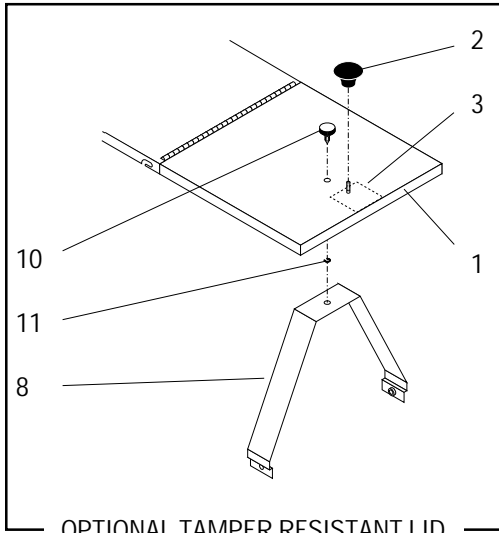
(Continued)

(Continued)

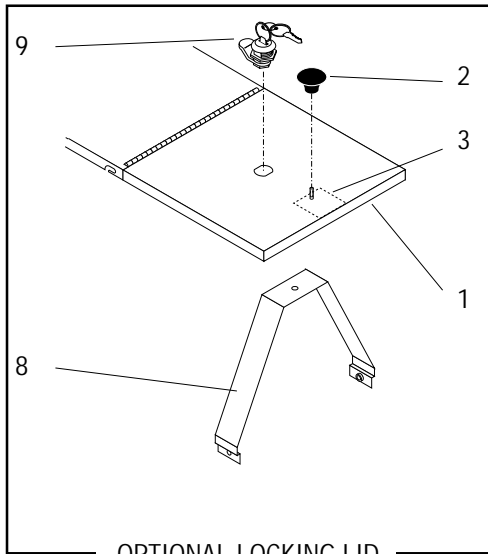


HOUSING, BASE AND PANELS

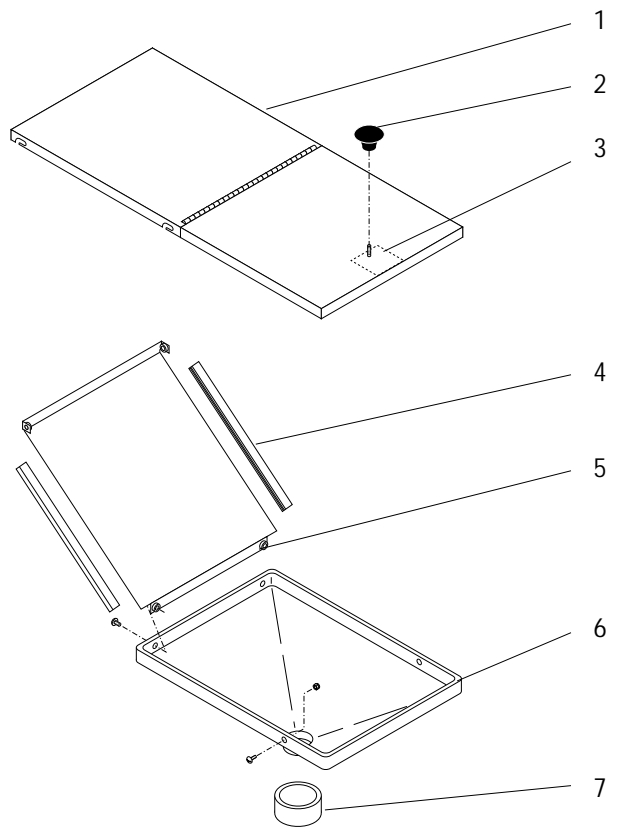
ITEM	PART NO.	QTY.	DESCRIPTION	
16	00912.0000	2	Clip, J-Type #8 - 32	
17	05884.0000	1	Decal, Motor Reset	
18	02999.0000	1	Plug, Hole 1.19" Dia.	
	25126.0000	1	Plug, Hole (BLK) 1.19" Dia.	
19	05814.0001	3	Window Assy (Includes adhesive)	
20	00917.0000	8	Clip, J-Type #8 - 32	
21	05771.0000	1	Funnel Rail, Left	} G9T HD Models only
	02308.0000	2	Screw, Pan Head #8 - 32 x .38"	
22	05770.0000	1	Funnel Rail, Right	
	02308.0000	2	Screw, Pan Head #8 - 32 x .38"	
23	05781.0000	2	Spring	
24	05743.0000	2	Screw, Stop #8 - 32 x .75"	
25	05742.0000	1	Bracket, Right Spring	
26	05741.0000	1	Bracket, Left Spring	



OPTIONAL TAMPER RESISTANT LID

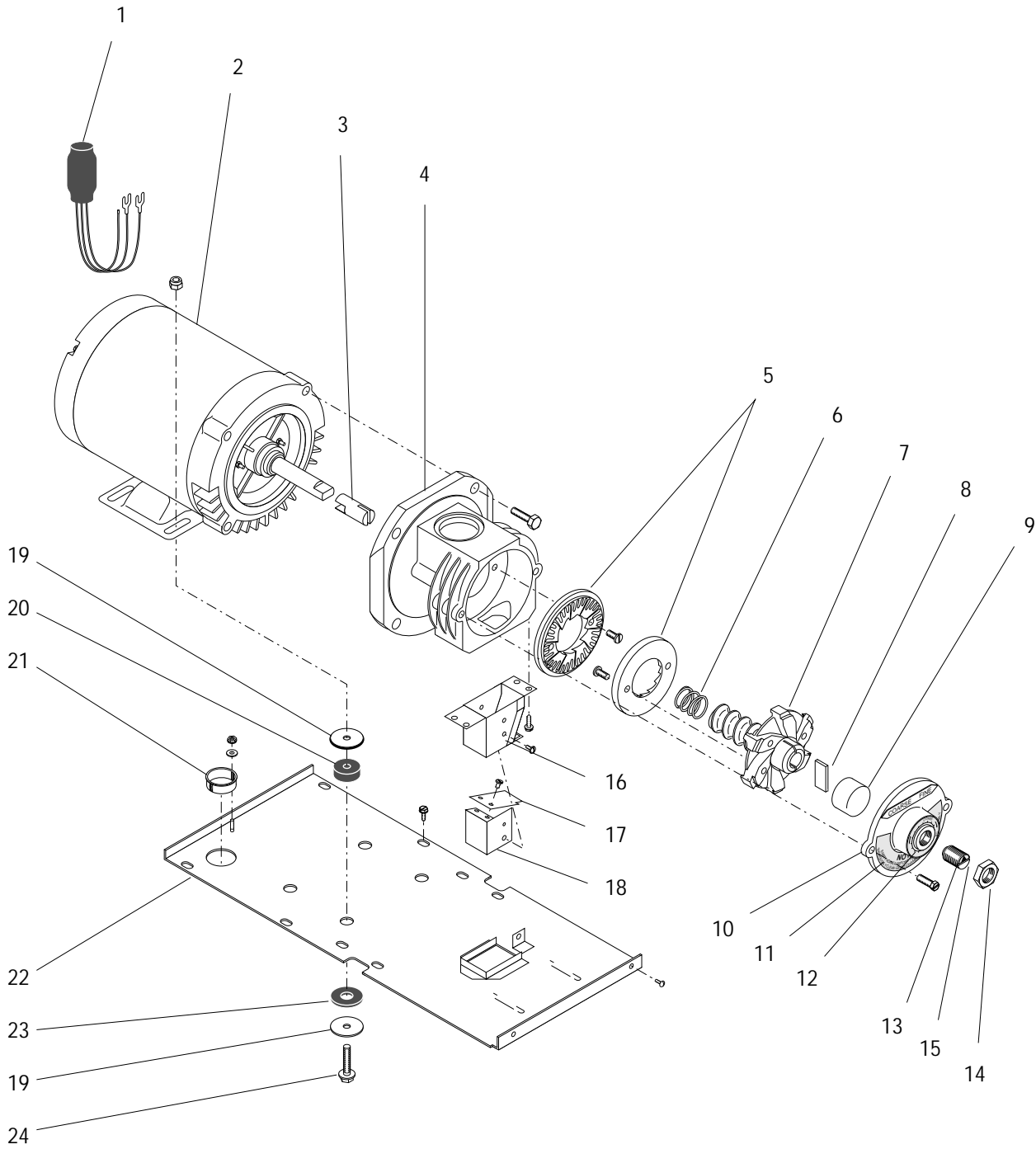


OPTIONAL LOCKING LID



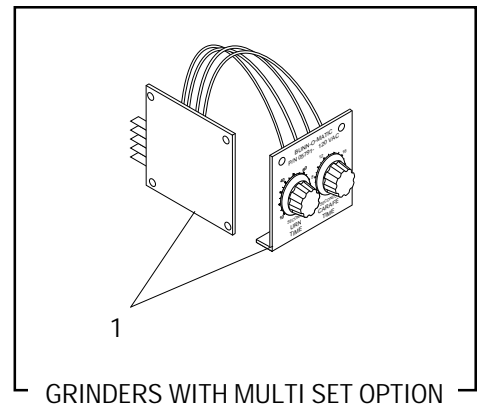
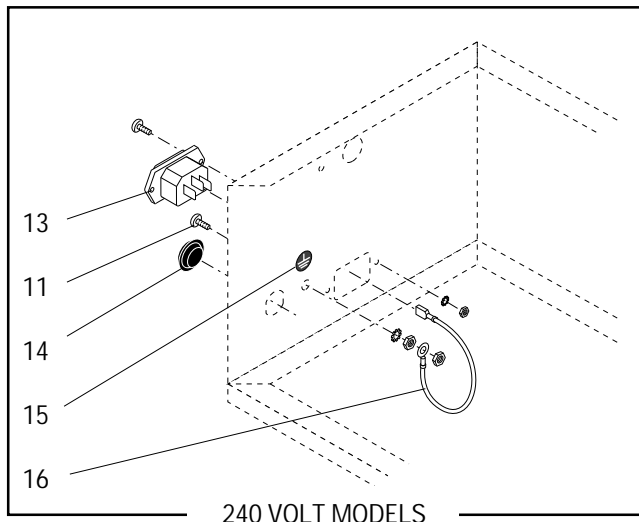
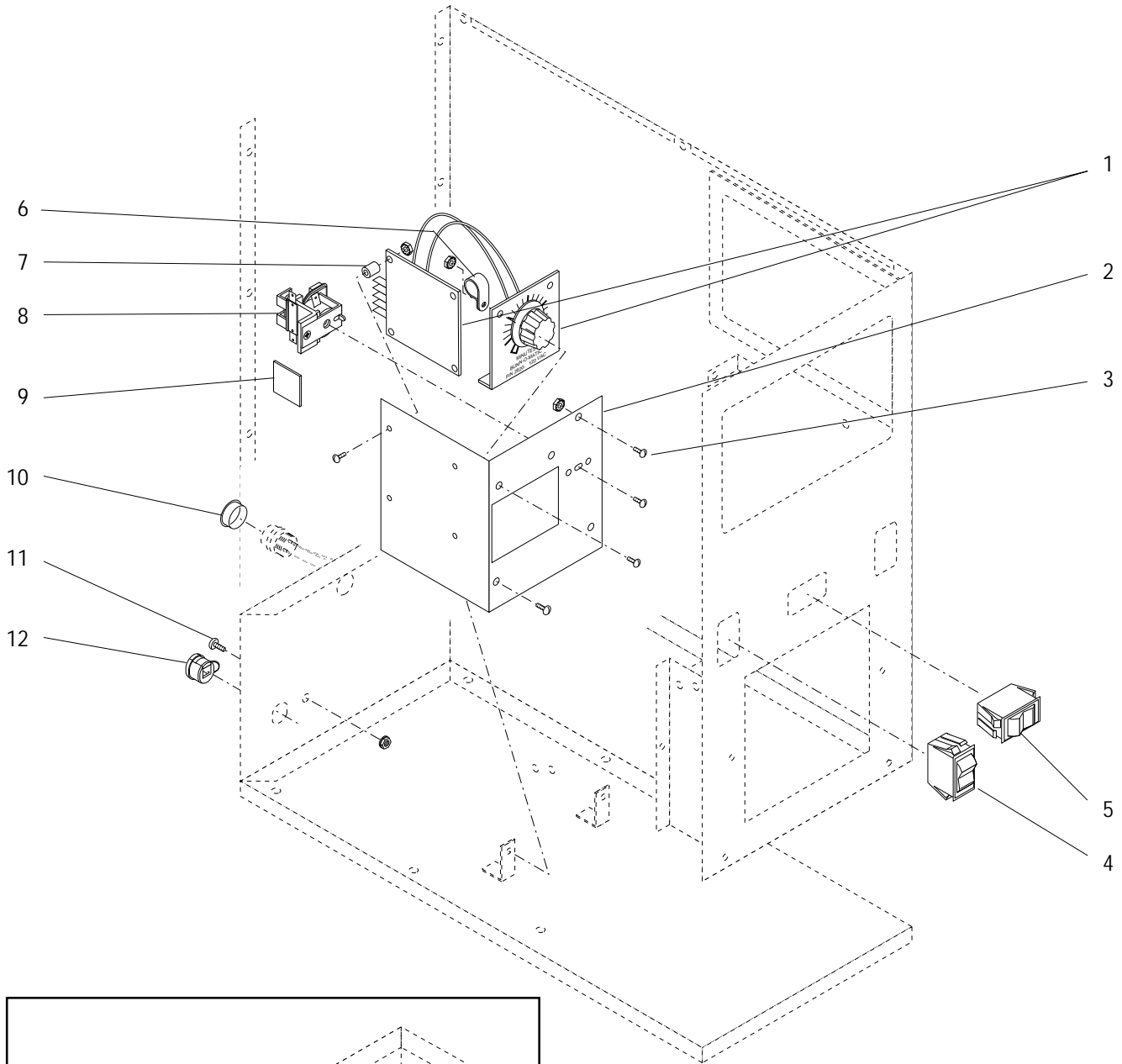
HOPPER AND LID ASSEMBLY

ITEM	PART NO.	QTY.	DESCRIPTION
1	21622.1000	1	Lid Assy, Hopper
	21622.1002	1	Lid Assy, Hopper (BLK)
	23347.1000	1	Lid Assy, Hopper Tamper Resistant
	23347.1001	1	Lid Assy, Hopper Locking
	01347.0000	4	Screw, Pan Head #6 - 32 x .375"
			} Includes items 2 & 3
2	00725.0000	1	Knob
	01315.0003	1	Screw, Truss Head Brass #8 - 32 x .375" (Brass Grinders only)
3	05876.0000	1	Decal, Caution
4	-----	2	Gasket, U-Channel 8.4" (Order item 12)
5	05828.0000	1	Hopper Extension
	01380.0000	2	Screw, Pan Head #6 - 32 x .50"
	02323.0000	2	Screw, Pan Head (BLK) #6 - 32 x .50"
6	05871.0000	1	Hopper
	01317.0000	2	Screw, Truss Head #8 - 32 x .50"
	02322.0002	2	Screw, Pan Head (BLK) #8 - 32 x .375"
	01317.0002	2	Screw, Truss Head Brass #8 - 32 x .50"
	01338.0000	2	Screw, Truss Head #8 - 32 x .625" (Tamper Resistant & Locking Lid)
	00991.0000	2	Nut, Elastic Lock #8 - 32
7	05872.0000	1	Sleeve, Hopper
8	05797.0000	1	Bracket, Tamper Resistant Lid
	05797.0002	1	Bracket, Lid Locking
9	11628.0000	1	Lid Lock Assy (Includes Keys) (New Keys should be made locally)
10	01402.0000	1	Thumb Screw
11	01403.0000	1	E-Ring
12	02434.1000	-	Gasket, U-Channel 18.0" (Not illustrated)



MOTOR, BURR HOUSING AND MOUNTING PLATE

ITEM	PART NO.	QTY.	DESCRIPTION
1	05965.0000	1	Snubber Assy, Timer
2	11090.0004	1	Motor Assy (115V) } Includes item 3 Motor Assy (240V) }
	11090.0005	1	
3	11191.0001	1	Shaft Extension
4	11180.0000	1	Burr Housing
	02313.0000	4	Screw, Hex Head .38" - 16 x 1.0"
5	05861.1002	1	Burr Set (Includes 2 Burrs and Screws below)
	02314.0000	4	Screw, Pan Head .25" - 20 x .50"
6	11192.0000	1	Spring
7	11185.0001	1	Burr Auger Rotor/Spring Assy (Includes item 6)
8	05852.0001	1	Shear Plate
9	00622.0000	1	Cup, Burr Rotor
10	05867.0000	1	Cap W/Decals, Burr Housing (Includes items 11 & 12)
	05867.0002	1	Cap & Adjustng Screw W/Decals, Burr Housing (Includes items 11 thru14) (Also order item 15)
	20631.0000	2	Screw, Slotted Hex Head .25" - 20 x .75"
11	05868.0000	1	Decal, Housing Cover
12	05880.0000	1	Decal, Grind Indicator
13	05864.0000	1	Adjusting Screw (Also order item 15)
14	00989.0000	1	Nut, Locking
15	05796.0000	1	Decal, Adjusting Screw
16	05951.0000	1	Chute
	02330.0001	4	Screw, Slotted Hex Head #10 - 24 x .38"
17	05995.0000	1	Dechaffer Plate
	02327.0002	2	Screw, Pan Head #4 - 40 x .312"
18	05954.0000	1	Dechaffer Assy (Includes item 17)
	02328.0002	1	Screw, Pan Head #6 - 32 x .188"
19	01539.0000	8	Washer, Flat
20	05881.0000	4	Bushing
21	00718.0000	1	Bushing, 1.125" Dia. Hole
22	05957.0000	1	Plate, Motor Mounting
	01330.0000	6	Screw, Slotted Hex Head #10 - 32 x .50"
	01347.0000	2	Screw, Truss Head SST #6 - 32 x .38"
23	05882.0000	4	Washer, 1.50" Dia.
24	02312.0000	4	Screw, Hex Washer Head .312" - 18 X 1.50"
	00987.0000	4	Nut, Lock .312" - 18

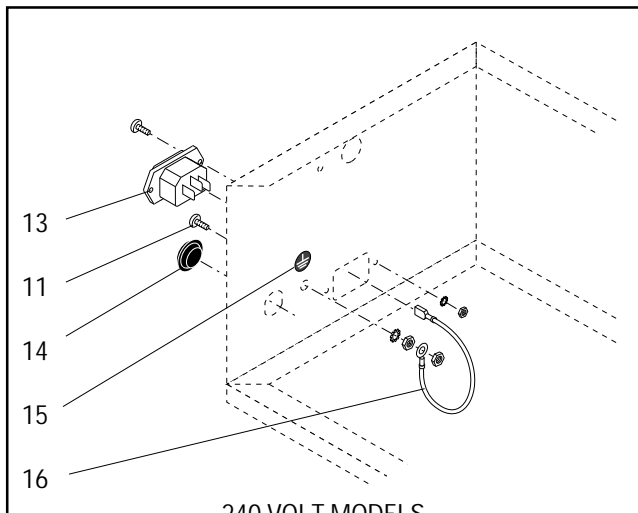
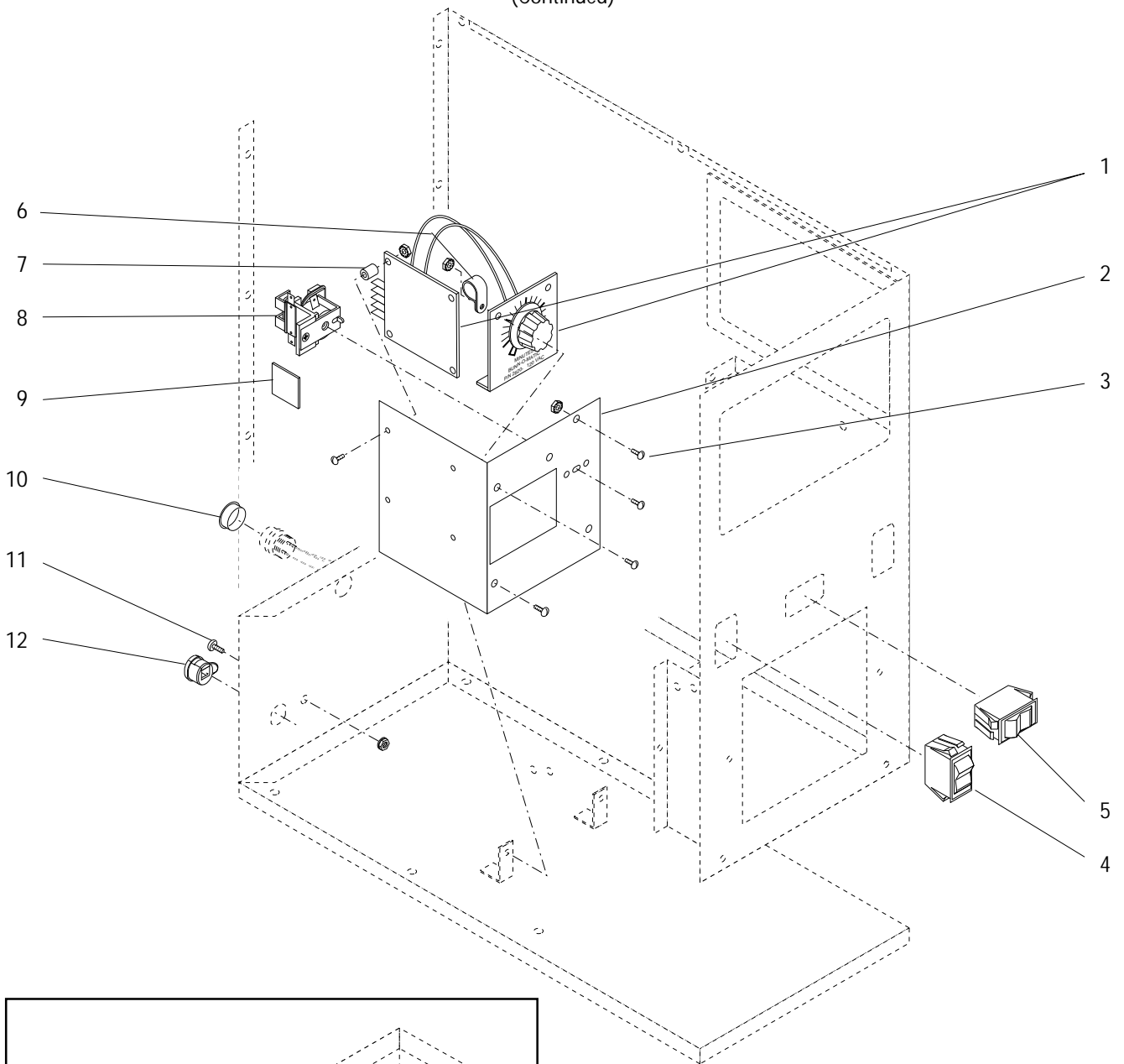


ELECTRICAL CONTROLS

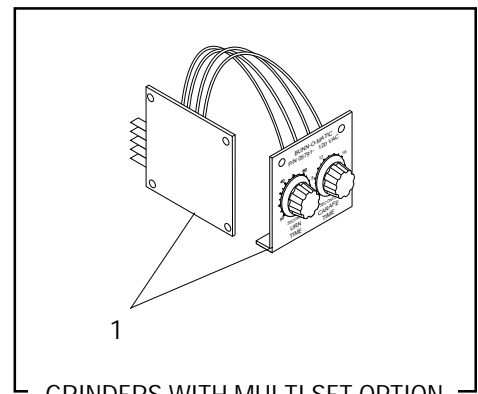
ITEM	PART NO.	QTY.	DESCRIPTION		
1	02620.1033	1	Timer Assy (100/120V)		
	02620.1034	1	Timer Assy (240V)		
	02620.1036	1	Timer Assy (120V) (Grinders with Half/Full Batch Option & RT/OT Interface Option)		
	02620.1037	1	Timer Assy (120V) (Grinders with System III & Dual Interface Option)		
	05791.1001	1	Timer Assy (120V) (Grinders with Multi Set Option)		
	02308.0000	2	Screw, Pan Head #8 - 32 x .375"	Grinders without Multi Set Option	
	00970.0000	2	Nut, Keps #8 - 32		
	01388.0000	4	Screw, Truss Head #6 - 32 x .75"		
		00973.0000	4	Nut #6 - 32	Grinders with Multi Set Option
		01347.0000	2	Screw, Truss Head #6 - 32 x .375"	
		01388.0000	4	Screw, Truss Head #6 - 32 x .75"	
	00973.0000	6	Nut #6 - 32		
2	05817.0000	1	Bracket, Timer		
	01315.0000	2	Screw, Truss Head #8 - 32 x .375"		
	01516.0000	2	Washer, Nylon		
3	02308.0000	1	Screw, Pan Head #8 - 32 x .375" (Ground)	Grinders without Multi Set Option	
	00970.0000	1	Nut, Keps #8 - 32		
	01347.0000	1	Screw, Truss Head #6 - 32 x .375" (Ground)	Grinders with Multi Set Option	
	00973.0000	1	Nut, Keps #6 - 32		
4	05789.0000	1	Switch, Rocker (Grinders with Multi Set Option)		
	06536.0000	1	Switch, Rocker (Grinders with Half/Full Batch Option)		
5	05815.0000	1	Switch, Off/On/Start		
6	04831.0000	1	Clamp, cable		
7	01533.0000	4	Spacer, Timer Board		
8	05850.0000	1	Relay (120V)		
	05892.0000	1	Relay (240V)		
	05893.0000	1	Relay (100V)		
	01347.0000	1	Screw, Truss Head #6 - 32 x .375"		
9	22749.0000	2	Pad, Mounting Cable Tie		
	00617.0000	2	Tie, Cable Nylon (Not illustrated)		
10	27657.0000	1	Cap, Dust		
11	01326.0000	1	Screw, Ground Truss Head SST #10 - 32 x .25"		
	00971.0000	1	Nut, Keps #10 - 32		
12	00707.0000	1	Bushing, Strain Relief (120V)		
13	01908.0000	1	Power Connector (240V)	240 Volt Grinders only	
	01362.0000	2	Screw, Oval Head #4 - 40 x .50"		
	01509.0000	2	Lockwasher, External Tooth #4		
	00937.0000	2	Nut, Hex #4 - 40		
14	05749.0001	1	Plug .625" Dia.		
15	00824.0000	1	Decal, Ground		
16	21016.0013	1	Lead, Elec. Grn/Yel 4.0" (Ground)		
	01512.0000	1	Lockwasher, External Tooth #10		

(Continued)

(Continued)



240 VOLT MODELS



GRINDERS WITH MULTI SET OPTION

ELECTRICAL CONTROLS

ITEM	PART NO.	QTY.	DESCRIPTION
	NOTE: The following items are not illustrated		
17	05887.0000	1	Wiring Harness, Main (120V)
18	05904.0001	1	Wiring Harness, Switch/Timer (Grinders with Multi Set Option)
19	05778.0000	1	Wiring Harness, Interface (System III Interface Option)
	05778.0001	1	Wiring Harness, Interface (Dual Interface Option)
	05185.0000	1	Wiring Harness, Interface (RT/OT Interface Option)
20	05188.0002	1	Cable, Interface
21	01712.0000	1	Cord Assy, Power 120V
22	00669.0000	1	Plug .625" Dia. (Grinders W/O Interface)

NUMERICAL INDEX

PART NO.	PAGE NO.	PART NO.	PAGE NO.	PART NO.	PAGE NO.	PART NO.	PAGE NO.
00617.0000	13	05185.0000	15	11090.0005	11		
00622.0000	11	05188.0002	15	11180.0000	11		
00669.0000	15	05741.0000	7	11185.0001	11		
00707.0000	13	05742.0000	7	11191.0001	11		
00718.0000	11	05743.0000	7	11192.0000	11		
00725.0000	9	05749.0001	13	11628.0000	9		
00824.0000	13	05752.0000	5	20545.0000	5		
00912.0000	7	05770.0000	7	20631.0000	11		
00917.0000	7	05771.0000	7	21016.0013	13		
00937.0000	13	05778.0000	15	21619.1000	5		
00970.0000	13	05778.0001	15	21619.1002	5		
00971.0000	13	05781.0000	7	21619.1003	5		
00973.0000	13	05789.0000	13	21619.1005	5		
00987.0000	11	05791.1001	13	21619.1008	5		
00989.0000	11	05796.0000	11	21620.1000	5		
00991.0000	9	05797.0000	9	21620.1011	5		
01315.0000	5,13	05797.0002	9	21622.1000	9		
01315.0003	9	05809.0000	5	21622.1002	9		
01317.0000	9	05809.0002	5	22749.0000	13		
01317.0002	9	05814.0001	7	23346.1000	5		
01326.0000	13	05815.0000	13	23347.1000	9		
01330.0000	11	05816.0000	5	23347.1001	9		
01338.0000	9	05817.0000	13	23356.1000	5		
01347.0000	9,11,13	05827.0000	5	24237.0000	5		
01362.0000	13	05828.0000	9	24239.0002	5		
01380.0000	5,9	05839.0000	5	24239.0003	5		
01382.0002	5	05844.1000	5	24239.0004	5		
01388.0000	13	05850.0000	13	24240.0000	5		
01402.0000	9	05852.0001	11	25126.0000	7		
01403.0000	9	05861.1002	11	25407.0000	5		
01509.0000	13	05864.0000	11	25407.0001	5		
01512.0000	13	05867.0000	11	25407.0005	5		
01516.0000	13	05867.0002	11	25408.0000	5		
01518.0000	5	05868.0000	11	25408.0001	5		
01533.0000	13	05871.0000	9	27657.0000	13		
01539.0000	11	05872.0000	9				
01712.0000	15	05876.0000	5,9				
01908.0000	13	05880.0000	11				
02308.0000	5,7,13	05881.0000	11				
02311.0000	5	05882.0000	11				
02312.0000	11	05884.0000	7				
02313.0000	11	05887.0000	15				
02314.0000	11	05892.0000	13				
02322.0002	5,9	05893.0000	13				
02323.0000	9	05904.0001	15				
02327.0002	11	05951.0000	11				
02328.0002	11	05954.0000	11				
02330.0001	11	05957.0000	11				
02434.1000	9	05965.0000	11				
02620.1033	13	05995.0000	11				
02620.1034	13	06536.0000	13				
02620.1036	13	10173.0000	5				
02620.1037	13	10215.0000	5				
02999.0000	7	10239.0000	5				
04831.0000	13	11090.0004	11				