

FETCO®

ITEM NUMBER: _____

MODEL CBS-2032e
SERIES 2000



Dispensers Sold Separately



Patents: 6,148,717; 6,565,906; 6,576,282 6705,208B1,
6,889,598 Other Patents Pending. International
Patents Apply.

The Ultimate in Airpot Technology

Versatility, reliability, portability and functionality best describe these 3.0 Liter all stainless steel lined beverage dispensers. Once filled, they can be taken anywhere to provide self serve beverage service. Indoors, outdoors, on different floors, these dispensers can be placed throughout the restaurant, hotel or office for hours of reliable performance.

FETCO®
600 Rose Road
Lake Zurich, IL 60047-0429
USA

Printed in USA 2006

The Science of Extraction Meets The Art of Taste™

Never before has there been a coffee brewer that has been more dedicated to the art and science of extracting the perfect cup of coffee. Nor has there ever been a coffee brewer so advanced yet so easy to operate. Without a doubt, The Extractor® Coffee Brewers are the smartest brewers in its class yet if won't intimidate the operator.

Science of Extraction

The best cups of coffee have an optimum balance of strength and extraction. Designed to achieve the optimal saturation, this brewer incorporates an innovative large spray disc, together with our renowned brew basket.

Effortless Calibration

Have you ever wished you had more time and energy to fine-tune your coffee brewer, but didn't want to go under the lid? Now you don't have to with The Extractor® Coffee Brewers. Effortless external calibration and set-up are made easy through innovative front panel technology. Only what you need to know appears on the panel and just the selected options you choose remain activated.

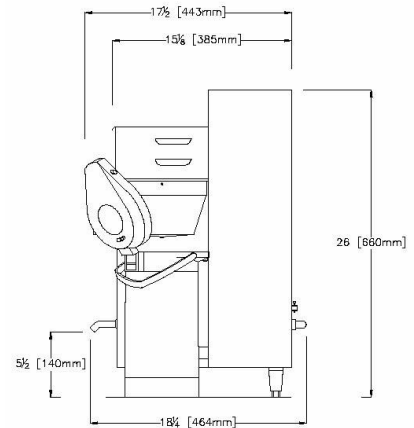
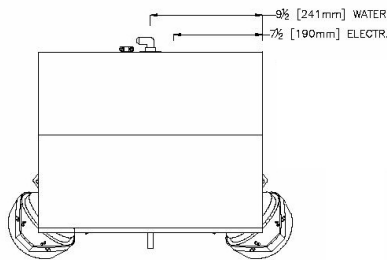
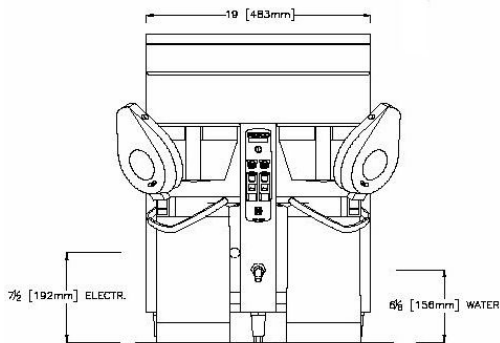
Outstanding Safety Operation

The brew basket locks into place during the entire brew cycle (including spray-over and dwell times) for added operator safety (on select models). The Low-Temp/No-Brew feature if activated, stops brewing with tepid water. Batch sizes and hot water service features can be turned on or off during setup to streamline operator choices.

Consultant & Contractor Approvals:

Phone: (847) 719-3000
Toll Free: (800) FETCO-99
FAX: (847) 719-3001
sales@fetco.com
http://www.fetco.com

MODEL CBS-2032e SERIES 2000



Dimensions (Brewer):

Height - 26" (622mm) Width - 19" (483mm) Depth - 18" (457mm)

Dimensions (Shipping): Ships By Pallet

Height - 26" (650mm) Width - 24" (600mm) Depth - 22" (550mm)
Weight - 100 lbs (45kg)

ELECTRICAL

| ELECTRICAL CONFIG. CODE | HEATER CONFIG. | VOLTAGE | PHASE | WIRES | KW | MAX AMP DRAW | BATCHES PER HOUR ⁽¹⁾ | |
|-------------------------|----------------|---------|-------|-------|-----|--------------|---------------------------------|-----------|
| | | | | | | | COLD | HOT WATER |
| E32015 | 2x3.0 kW | 120/208 | 1 | 3+G | 4.6 | 22.4 | 14.6 | 22.0 |
| | | 120/220 | | | 5.1 | 23.7 | 16.9 | 22.0 |
| | | 120/240 | | | 6.1 | 25.8 | 19.4 | 22.0 |

⁽¹⁾ Based on standard factory settings: 4.0 minute brew time; 0% prewet; 200°F water.

| WATER INLET [INCH] | WATER PRESSURE | FLOW RATE |
|--------------------|----------------|-----------|
| 3/8 MALE FLARE | 20-75 psig | 0.5 gpm |

ACCESSORIES

| | |
|------|--|
| A015 | Round Drip Tray |
| A034 | 2 Station Airpot Rack With Drip Tray |
| A035 | 3 Station Airpot Rack With Drip Tray |
| A036 | 5 Station Airpot Rack With Drip Tray |
| A039 | In Line Water Filter With Cartridge |
| A075 | Replacement Water Filter Cartridge |
| A092 | Iced Tea Brew Basket (13" x 5") |
| A093 | Single Serving Station For L3S-10 (S3S-10-1) |
| A094 | Twin Serving Station For L3S-10 (S3S-10-2) |
| A096 | Triple Serving Station For L3S-10 (S3S-10-3) |
| A112 | Airpot Hot Tea Infuser |
| A113 | 1.0 Gallon Hot Tea Infuser |
| A120 | Quad Serving Station For L3S-10 (S3S-10-4) |

FILTERS

| | |
|------|---------------------------------------|
| F002 | 13" x 5" Paper Filters (500 Per Case) |
|------|---------------------------------------|

OPTIONS

| | |
|------|--|
| Z005 | Color Coded Dispenser Faucet Handles |
| | For D051 Orange, Red, Blue, Green (Standard Black) |
| | For D041 & D042 Orange (Standard Black) |
| | For D037 & D038 Orange (Standard Black) |
| Z047 | Red Handle On Brew Basket |
| Z048 | Green Handle On Brew Basket |
| Z049 | Orange Handle On Brew Basket |
| Z055 | Export Voltages Available |

DISPENSERS

| | |
|------|--|
| D037 | 1.9 Liter Stainless Steel Lined Server |
| D038 | Case (6) of 1.9 Liter Stainless Steel Lined Servers |
| D041 | 3.0 Liter Stainless Steel Lined Lever Airpot |
| D042 | Case (6) of 3.0 Liter Stainless Steel Lined Lever Airpot |
| D051 | 1.0 Gallon LUXUS® Thermal Dispenser (L3S-10) |

FETCO®

600 Rose Road

Lake Zurich, IL 60047-0429 USA

Phone: (847) 719-3000 Toll Free: (800) FETCO-99

FAX: (847) 719-3001

sales@fetco.com http://www.fetco.com

Printed in USA 2006

FETCO, LUXUS, Extractor, Pulse-Brew, Driven To Pioneer Innovation and product dress are all trademarks or registered trademarks of Food Equipment Technologies Company