

FETCO®

ITEM NUMBER: _____

MODEL CBS-2031e
SERIES 2000



Dispensers Sold Separately



Patents: 6,148,717; 6,565,906; 6,576,282 6705,208B1,
6,889,598 Other Patents Pending. International
Patents Apply.

The Ultimate in Airtop Technology

Versatility, reliability, portability and functionality best describe these 3.0 Liter all stainless steel lined beverage dispensers. Once filled, they can be taken anywhere to provide self serve beverage service. Indoors, outdoors, on different floors, these dispensers can be placed throughout the restaurant, hotel or office for hours of reliable performance.

FETCO®
600 Rose Road
Lake Zurich, IL 60047-0429
USA

Printed in USA 2006

The Science of Extraction Meets The Art of Taste™

Never before has there been a coffee brewer that has been more dedicated to the art and science of extracting the perfect cup of coffee. Nor has there ever been a coffee brewer so advanced yet so easy to operate. Without a doubt, The Extractor® Coffee Brewers are the smartest brewers in its class yet if won't intimidate the operator.

Science of Extraction

The best cups of coffee have an optimum balance of strength and extraction. Designed to achieve the optimal saturation, this brewer incorporates an innovative large spray disc, together with our renowned brew basket.

Effortless Calibration

Have you ever wished you had more time and energy to fine-tune your coffee brewer, but didn't want to go under the lid? Now you don't have to with The Extractor® Coffee Brewers. Effortless external calibration and set-up are made easy through innovative front panel technology. Only what you need to know appears on the panel and just the selected options you choose remain activated.

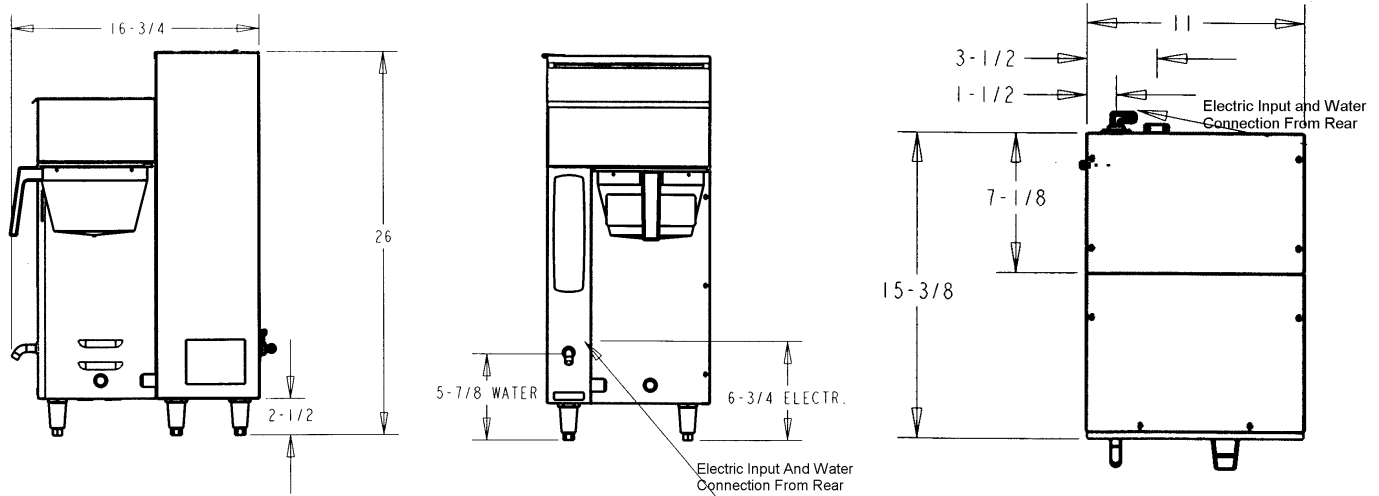
Outstanding Safety Operation

The brew basket locks into place during the entire brew cycle (including spray-over and dwell times) for added operator safety (on select models). The Low-Temp/No-Brew feature if activated, stops brewing with tepid water. Batch sizes and hot water service features can be turned on or off during setup to streamline operator choices.

Consultant & Contractor Approvals:

Phone: (847) 719-3000
Toll Free: (800) FETCO-99
FAX: (847) 719-3001
sales@fetco.com
http://www.fetco.com

MODEL CBS-2031e SERIES 2000



Dimensions (Brewer):

Height - 26" (650mm) Width - 11" (275mm) Depth - 18" (457mm)

Dimensions (Shipping): Ships By Pallet

Height - 26" (700mm) Width - 14" (350mm) Depth - 22" (550mm)
Weight - 59lbs (27kg)

ELECTRICAL

ELECTRICAL CONFIG. CODE	HEATER CONFIG.	VOLTAGE	PHASE	WIRES	KW	MAX AMP DRAW	BATCHES PER HOUR ⁽²⁾	
							COLD	HOT WATER
E31045 ⁽¹⁾	1x1.5 kW	120	1	2+G	1.6	13.0	4.9	11.0
	2x1.5 kW	120/208		3+G	2.4	11.3	7.3	11.0
		120/220			2.6	12.0	8.2	11.0
		120/240			3.1	13.0	9.7	11.0
E31035 ⁽¹⁾	1x1.7 kW	120	1	2+G	1.8	14.7	5.5	11.0
	2x1.7 kW	120/208		3+G	2.7	12.8	8.3	11.0
		120/220			3.0	13.5	9.2	11.0
		120/240			3.5	14.7	11.0	11.0
E31015 ⁽¹⁾	1x2.3 kW	120	1	2+G	2.4	19.7	7.4	11.0
	2x2.3 kW	120/208		3+G	3.6	17.1	11.0	11.0
		120/220			4.1	18.1	11.0	11.0
		120/240			4.7	19.7	11.0	11.0

(1) Can be connected to 120 VAC (Factory Setting) or 120/208-240 VAC.

(2) Based on standard factory settings: 4.0 minute brew time; 0% prewet; 200°F water.

WATER

WATER INLET [INCH]	WATER PRESSURE	FLOW RATE
3/8 MALE FLARE	20-75 psig	0.25 gpm

ACCESSORIES

A015	Round Drip Tray
A034	2 Station Airpot Rack With Drip Tray
A035	3 Station Airpot Rack With Drip Tray
A036	5 Station Airpot Rack With Drip Tray
A039	In Line Water Filter With Cartridge
A075	Replacement Water Filter Cartridge
A092	Iced Tea Brew Basket (13" x 5")
A093	Single Serving Station For L3S-10 (S3S-10-1)
A094	Twin Serving Station For L3S-10 (S3S-10-2)
A096	Triple Serving Station For L3S-10 (S3S-10-3)
A112	Airpot Hot Tea Infuser
A113	1.0 Gallon Hot Tea Infuser
A120	Quad Serving Station For L3S-10 (S3S-10-4)

FILTERS

F002	13" x 5" Paper Filters (500 Per Case)
------	---------------------------------------

OPTIONS

Z005	Color Coded Dispenser Faucet Handles
	For D051 Orange, Red, Blue, Green (Standard Black)
	For D041 & D042 Orange (Standard Black)
	For D037 & D038 Orange (Standard Black)
Z047	Red Handle On Brew Basket
Z048	Green Handle On Brew Basket
Z049	Orange Handle On Brew Basket
Z055	Export Voltages Available

DISPENSERS

D037	1.9 Liter Stainless Steel Lined Server
D038	Case (6) of 1.9 Liter Stainless Steel Lined Servers
D041	3.0 Liter Stainless Steel Lined Lever Airpot
D042	Case (6) of 3.0 Liter Stainless Steel Lined Lever Airpot
D051	1.0 Gallon LUXUS® Thermal Dispenser (L3S-10)

FETCO®
600 Rose Road
Lake Zurich, IL 60047-0429 USA
Phone: (847) 719-3000 Toll Free: (800) FETCO-99
FAX: (847) 719-3001
sales@fetco.com <http://www.fetco.com>

Printed in USA 2006